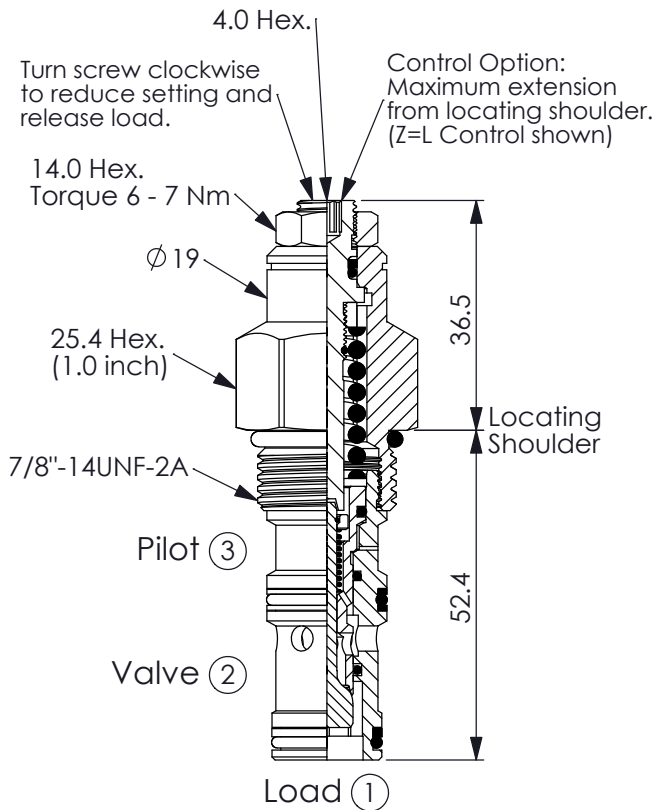


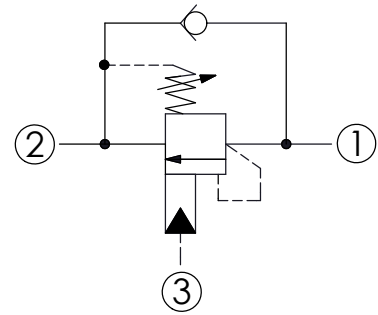
COUNTERBALANCE VALVE

Ordering Code: **CB-10WB-X-Y-Z**



UNIT:mm

Illustrations / detail are for reference only. Data subject to change.

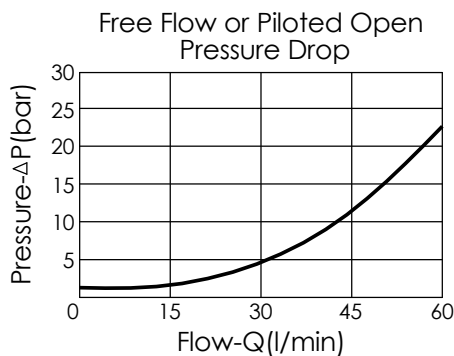


TECHNICAL DATA

Max. Setting:	350	bar
Rated flow:	60	l/min
Cavity-Tooling:	10WB-3	
Installation torque:	35 - 45	Nm
Weight:	0.17	kg

Pressure Setting:

Setting should be 1.3 times maximum load induced pressure. (We suggest when the Max. setting pressure is 350 bar, the load pressure has to be lower than 270 bar.)



X PILOT RATIO

3J 10 : 1 (with sealed pilot)

Y

SPRINGS

ADJUSTMENT RANGES(1.7 bar Cracking Pressure)

J

140 - 350 bar (210 bar Standard Setting)

K

70 - 175 bar (140 bar Standard Setting)

SPECIAL PURPOSES(0.3 bar Cracking Pressure)

C

140 - 350 bar (210 bar Standard Setting)

D

70 - 175 bar (140 bar Standard Setting)

Z

OPTIONS

L

Leakproof hex. socket screw.



CA

Plastic Tamper Resistant Cover (Order Code:5JAA094)

