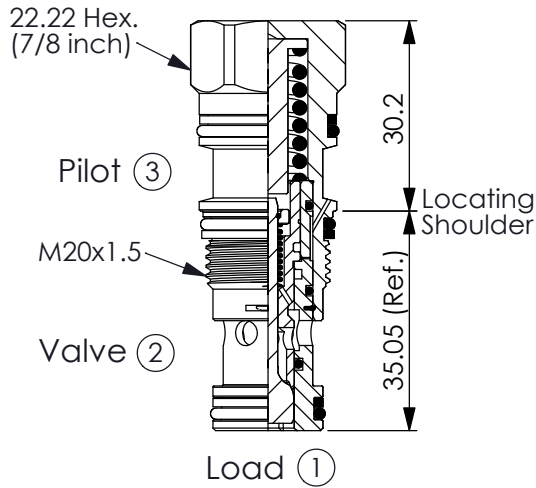
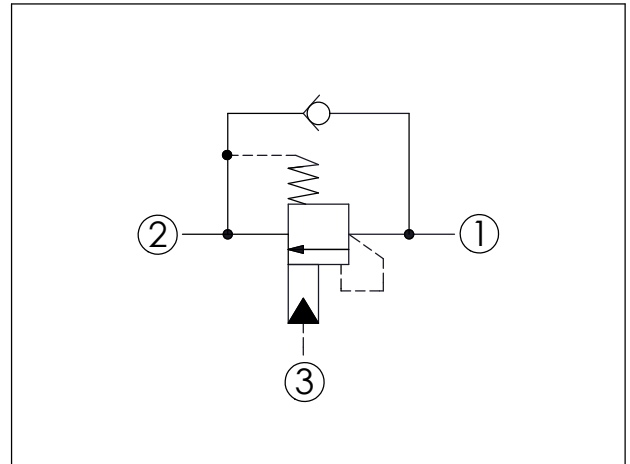


Ordering Code: **CB-11A-33-Y-Z**



UNIT:mm

Illustrations / detail are for reference only. Data subject to change.

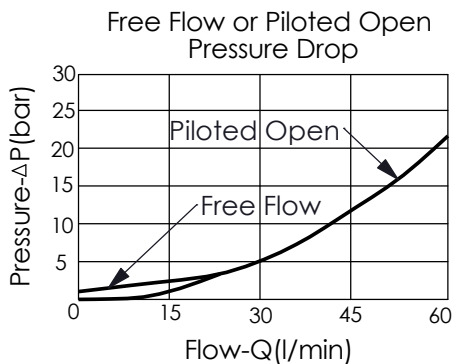


TECHNICAL DATA

Max. Setting:	280	bar
Rated flow:	60	l/min
Cavity-Tooling:	11A-3	
Installation torque:	40 - 50	Nm
Weight:	0.12	kg

Pressure Setting:

Setting should be 1.3 times maximum load induced pressure. (We suggest when the Max. setting pressure is 280 bar, the load pressure has to be lower than 215 bar.)



X	PILOT RATIO	
33	3	: 1

Y	SPRINGS	
	FIXED SETTING	
170	155 - 185 bar	
220	200 - 245 bar	
260	245 - 280 bar	

Z	OPTION	
N	Non-adjustable 2.0 bar Cracking Pressure	
Q	Non-adjustable 0.3 bar Cracking Pressure	