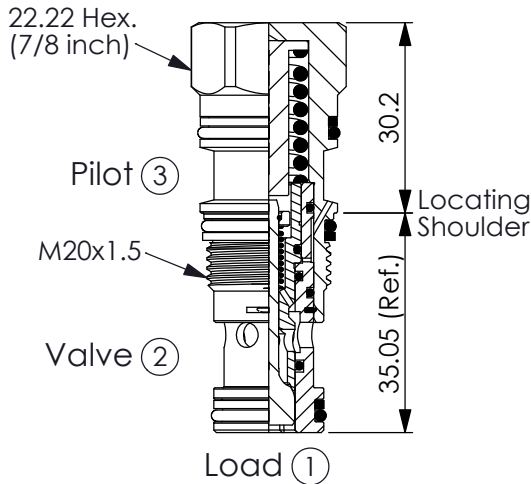
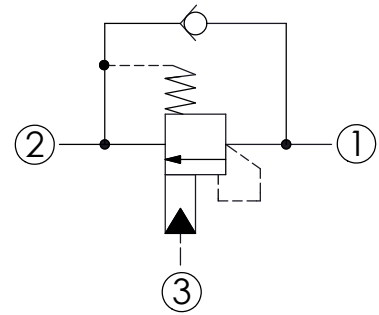


Ordering Code: **CB-11A-X-Y-Z**



UNIT:mm

Illustrations / detail are for reference only. Data subject to change.

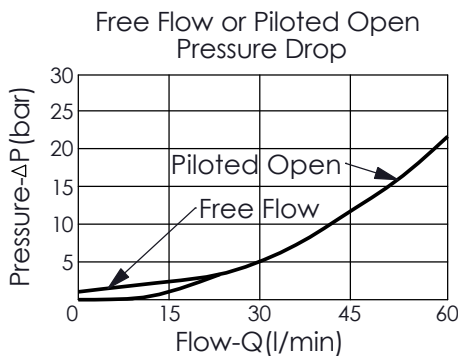


TECHNICAL DATA

Max. Setting:	350	bar
Rated flow:	60	l/min
Cavity-Tooling:	11A-3	
Installation torque:	40 - 50	Nm
Weight:	0.12	kg

Pressure Setting:

Setting should be 1.3 times maximum load induced pressure.
(We suggest when the Max. setting pressure is 350 bar, the load pressure has to be lower than 270 bar.)



X	PILOT RATIO	
30	10 : 1	
34	4.5 : 1	
3D	4.5 : 1 (with sealed pilot)	
3P	16 : 1 (with sealed pilot)	

Y	SPRINGS	
	FIXED SETTING	
120	100 - 140 bar	
200	180 - 220 bar	
240	220 - 260 bar	
270	245 - 290 bar	
310	285 - 340 bar	
350	325 - 390 bar	

Z	OPTION	
N	Non-adjustable 2.0 bar Cracking Pressure	
Q	Non-adjustable 0.3 bar Cracking Pressure	