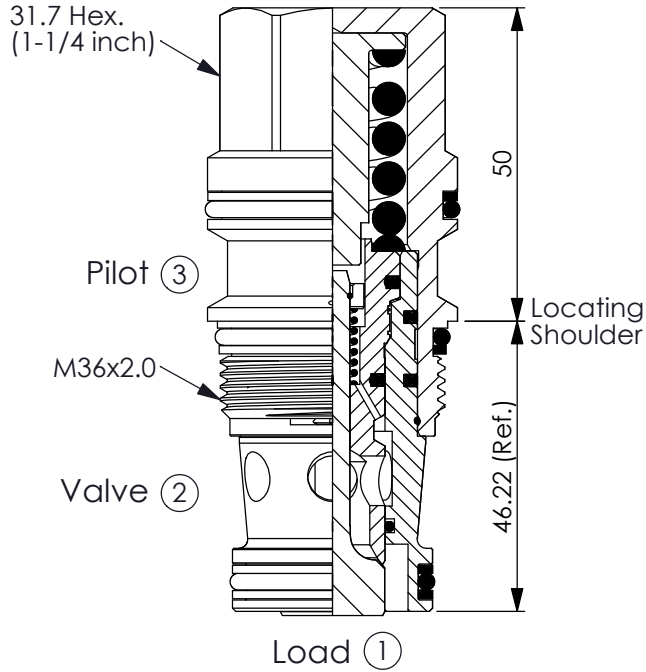
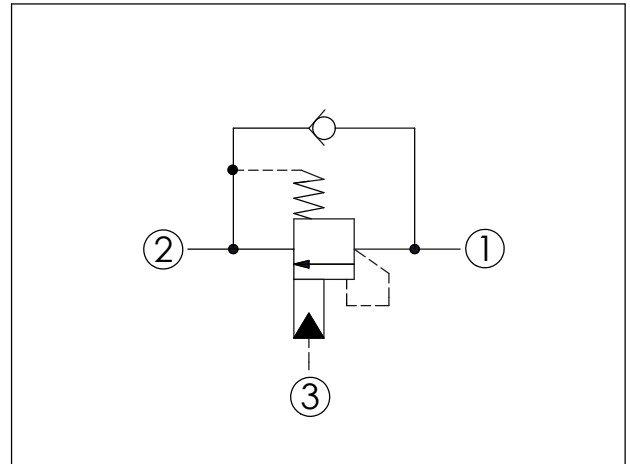


Ordering Code: **CB-17A-X-Y-Z**



UNIT:mm

Illustrations / detail are for reference only. Data subject to change.

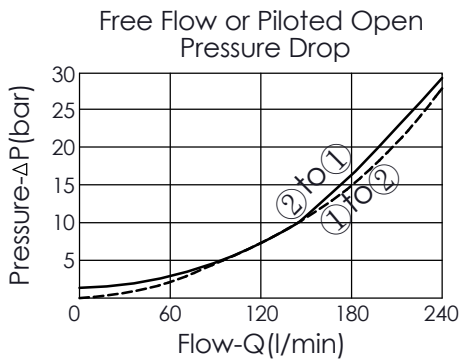


TECHNICAL DATA

Max. Setting:	350	bar
Rated flow:	240	l/min
Cavity-Tooling:	17A-3	
Installation torque:	200 - 215	Nm
Weight:	0.54	kg

Pressure Setting:

Setting should be 1.3 times maximum load induced pressure. (We suggest when the Max. setting pressure is 350 bar, the load pressure has to be lower than 270 bar.)



X	PILOT RATIO
3D	4.5 : 1 (with sealed pilot)

Y	SPRINGS	
	FIXED SETTING	
240	220 - 260 bar	
350	325 - 390 bar	

Z	OPTION
N	Non-adjustable 2.0 bar Cracking Pressure