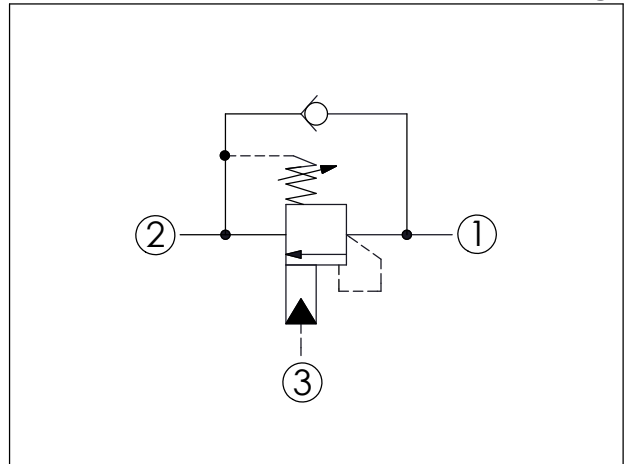
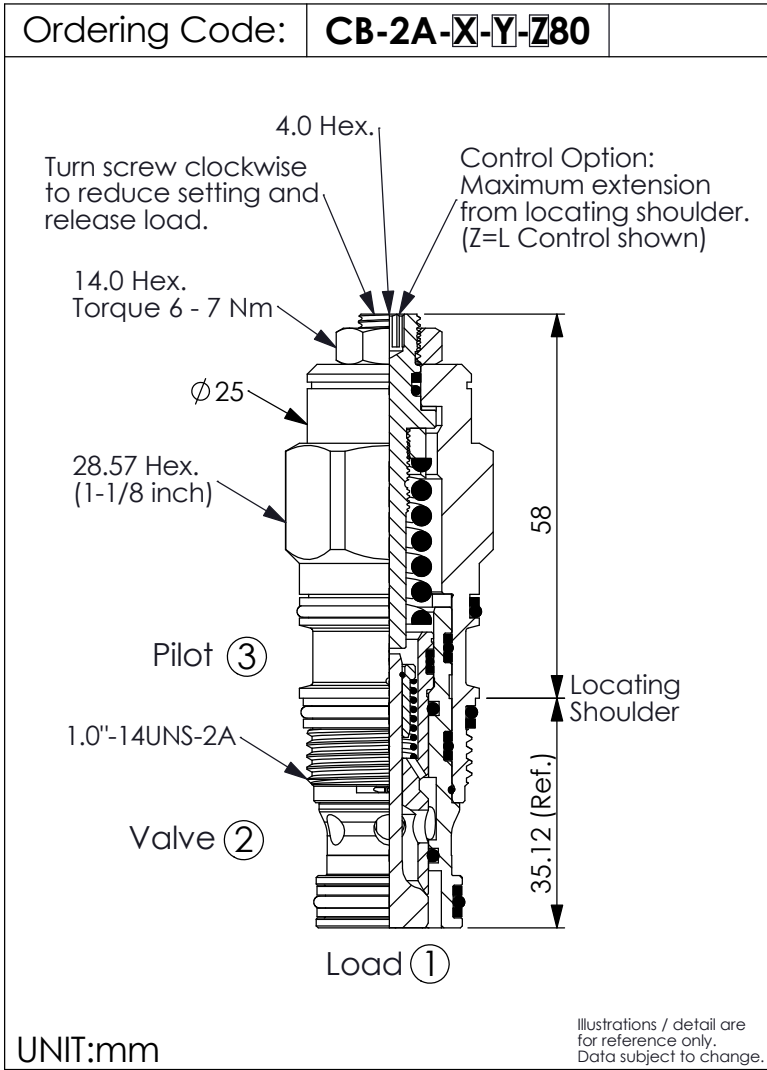
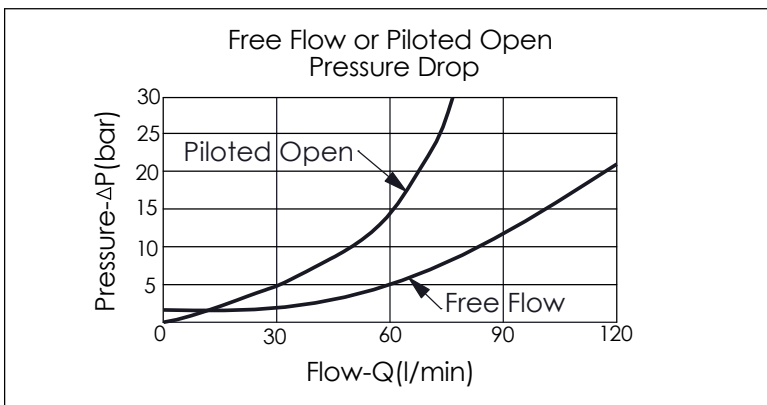


COUNTERBALANCE VALVE (Semi-Restrictive, 350 Bar Maximum Setting)



TECHNICAL DATA		
Max. Setting:	350	bar
Rated flow:	80 l/min From Port ① to ②	
	120 l/min From Port ② to ①	
Cavity-Tooling:	2A-3	
Installation torque:	60 - 70	Nm
Weight:	0.280 (Z=L)	kg
Pressure Setting: Setting should be 1.3 times maximum load induced pressure. (We suggest when the Max. setting pressure is 350 bar, the load pressure has to be lower than 270 bar.)		



X	PILOT RATIO	
3B	2.3:1 (with sealed pilot)	
3D	4.5:1 (with sealed pilot)	

Y	SPRINGS	
	ADJUSTMENT RANGES(1.7 bar Cracking Pressure)	
J	140 - 350 bar (210 bar Standard Setting)	
K	70 - 175 bar (140 bar Standard Setting)	
	SPECIAL PURPOSES(0.3 bar Cracking Pressure)	
C	140 - 350 bar (210 bar Standard Setting)	
D	70 - 175 bar (140 bar Standard Setting)	

Z	OPTIONS	
L	Leakproof hex. socket screw.	
CA	Plastic Tamper Resistant Cover (Order Code:5JAA099)	