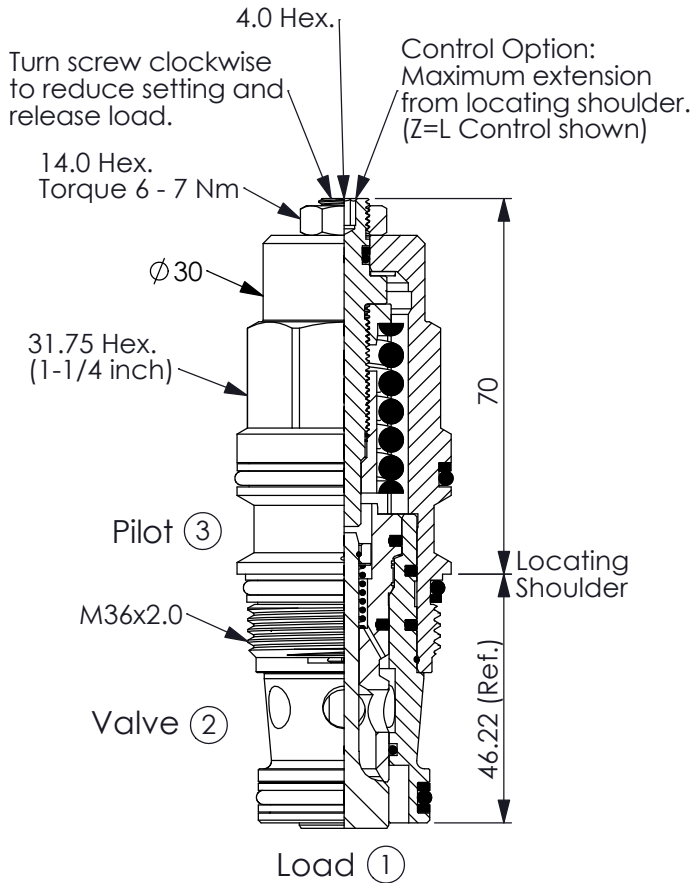
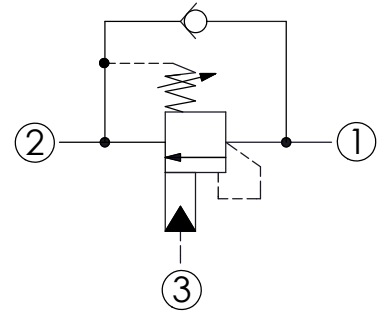


Ordering Code: **CB-17A-X-Y-Z160**



UNIT:mm

Illustrations / detail are for reference only. Data subject to change.

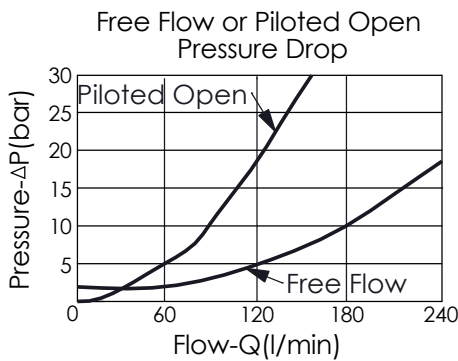


TECHNICAL DATA

Max. Setting:	280	bar
Rated flow:	160 l/min From Port ① to ②	240 l/min From Port ② to ①
Cavity-Tooling:	17A-3	
Installation torque:	200 - 215	Nm
Weight:	0.61 (Z=L)	kg

Pressure Setting:

Setting should be 1.3 times maximum load induced pressure. (We suggest when the Max. setting pressure is 280 bar, the load pressure has to be lower than 215 bar.)



X PILOT RATIO

3A	1.5 : 1 (with sealed pilot)
3C	3 : 1 (with sealed pilot)

Y

SPRINGS

ADJUSTMENT RANGES(1.7 bar Cracking Pressure)

H

70 - 280 bar (210 bar Standard Setting)

I

25 - 105 bar (70 bar Standard Setting)

SPECIAL PURPOSES(0.3 bar Cracking Pressure)

A

70 - 280 bar (210 bar Standard Setting)

B

25 - 105 bar (70 bar Standard Setting)

Z

OPTIONS

L

Leakproof hex. socket screw.



C

Stainless Steel Tamper Resistant Cover.

