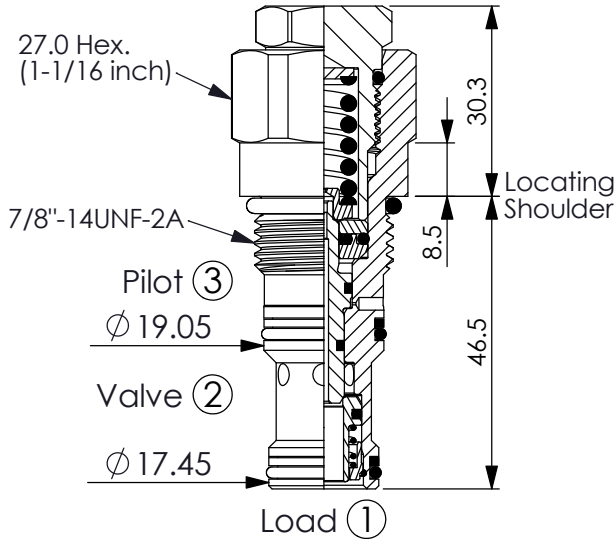
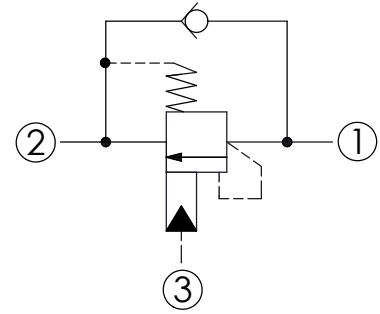


Ordering Code: **CBA-10WC-X-Y-Z**



UNIT:mm

Illustrations / detail are for reference only. Data subject to change.

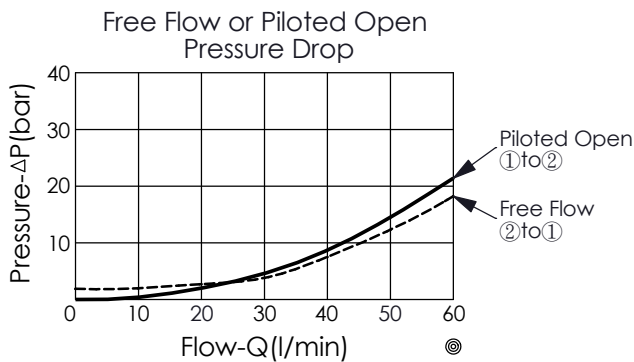


TECHNICAL DATA

Max. operating pressure:	350	bar
Rated flow:	60	l/min
Cavity-Tooling:	10WC-3	
Installation torque:	35 - 45	Nm
Weight:	0.185	kg

Pressure Setting:

Setting should be 1.3 times maximum load induced pressure.
(We suggest when the Max. setting pressure is 350 bar, the load pressure has to be lower than 270 bar.)



X PILOT RATIO

33 3 : 1

Y

SPRINGS

FIXED SETTING

250

235 - 265 bar

Z

OPTION

N

Non-adjustable
2.0 bar Cracking Pressure