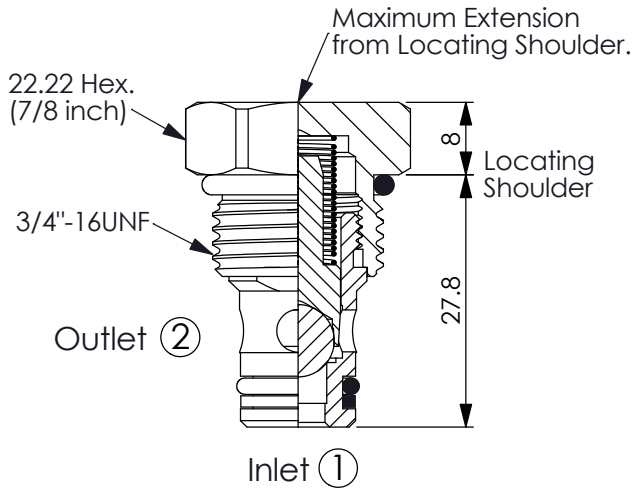
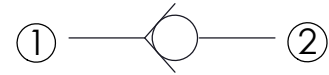


Ordering Code: **CV-08W-X-Y-Z**



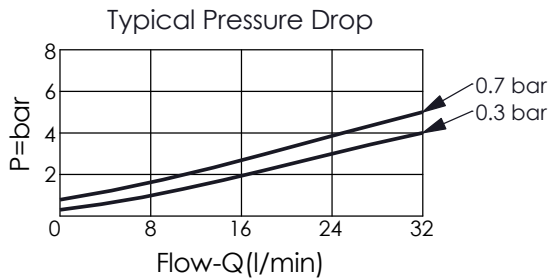
UNIT:mm

Illustrations / detail are for reference only. Data subject to change.



### TECHNICAL DATA

Max. pressure:	240	bar
Rated flow:	30	l/min
Cavity-Tooling:	08W-2	
Installation torque:	<b>25 - 28</b>	Nm
Weight:	0.05	kg



### X OPERATION

**20** ① to ② (Free Flow)

### Y SPRINGS

Cracking pressure

Y	Cracking pressure
<b>03</b>	0.3 bar
<b>07</b>	0.7 bar
<b>17</b>	1.7 bar
<b>28</b>	2.8 bar
<b>34</b>	3.4 bar
<b>41</b>	4.1 bar
<b>69</b>	6.9 bar
<b>103</b>	10.3 bar
<b>138</b>	13.8 bar
<b>176</b>	17.6 bar

### Z OPTION

**N** Non-adjustable