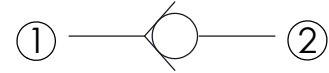
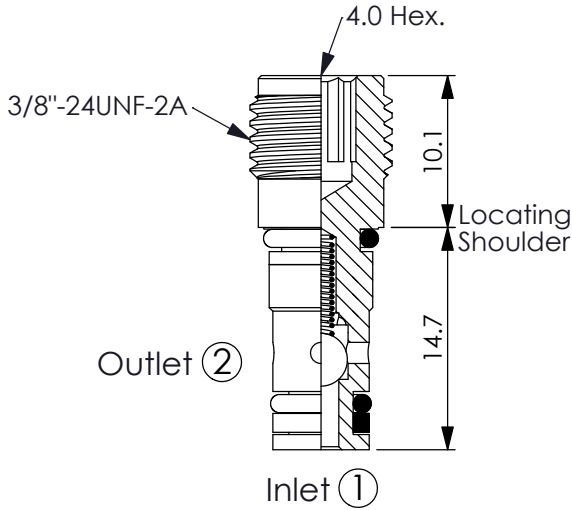


Ordering Code: **CV-382A-X-Y-Z**



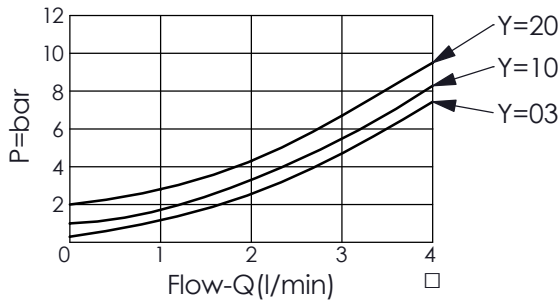
### TECHNICAL DATA

Max. Operating pressure:	350	bar
Rated flow:	4	l/min
Cavity-Tooling:	382A-3	
Installation torque:	11 - 14	Nm
Weight:	0.007	kg

UNIT:mm

Illustrations / detail are for reference only. Data subject to change.

Typical Pressure Drop



**X**

### OPERATION

**20**

① to ② (Free Flow)

**Y**

### SPRINGS

Cracking pressure

**03**

0.3 bar

**10**

1.0 bar

**20**

2.0 bar

**Z**

### OPTION

**N**

Non-adjustable  
(Buna-N Seal)

**N-V**

Non-adjustable  
(VITON Seal)