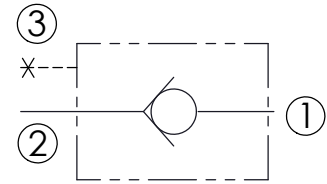
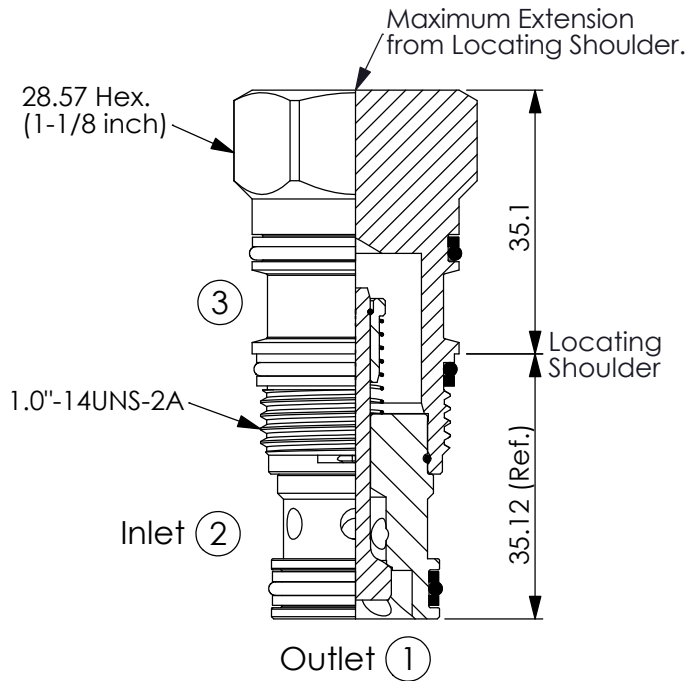


Ordering Code: **CV-2A-X-Y-Z**

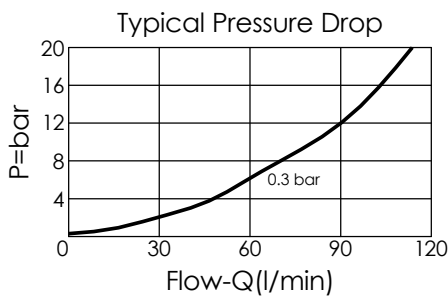


TECHNICAL DATA

| | | |
|----------------------------------|---------|-------|
| Max. Operating pressure: 350 bar | | |
| Rated flow: | 120 | l/min |
| Cavity-Tooling: | 2A-3 | |
| Installation torque: | 60 - 70 | Nm |
| Weight: | 0.22 | kg |

UNIT:mm

Illustrations / detail are for reference only. Data subject to change.



X OPERATION

21 ② to ① (Free Flow)

Y SPRINGS

Cracking pressure

| Y | Cracking pressure |
|------------|-------------------|
| 015 | 0.15 bar |
| 03 | 0.3 bar |
| 10 | 1.0 bar |
| 20 | 2.0 bar |
| 35 | 3.5 bar |
| 50 | 5.0 bar |
| 70 | 7.0 bar |

Z OPTION

N Non-adjustable 