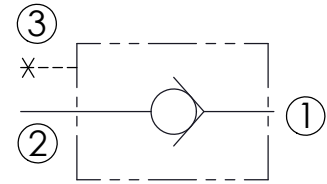
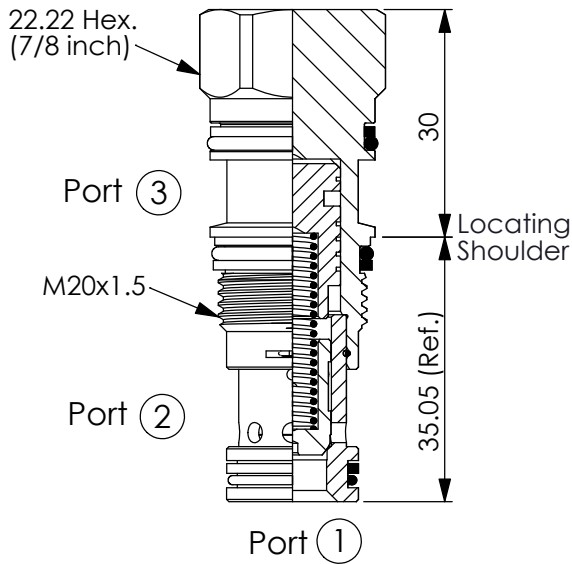


Ordering Code: **CV-11A-X-Y-Z**

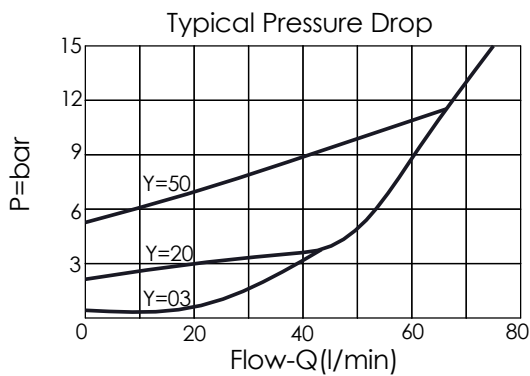


TECHNICAL DATA

| | | |
|--------------------------|---------|-------|
| Max. Operating pressure: | 350 | bar |
| Rated flow: | 80 | l/min |
| Cavity-Tooling: | 11A-3 | |
| Installation torque: | 40 - 50 | Nm |
| Weight: | 0.13 | kg |

UNIT:mm

Illustrations / detail are for reference only. Data subject to change.



X OPERATION

20 ① to ② (Free Flow)

Y

SPRINGS

Cracking pressure

| | |
|-----------|---------|
| 03 | 0.3 bar |
| 10 | 1.0 bar |
| 20 | 2.0 bar |
| 50 | 5.0 bar |
| 70 | 7.0 bar |

Z

OPTION

N Non-adjustable

