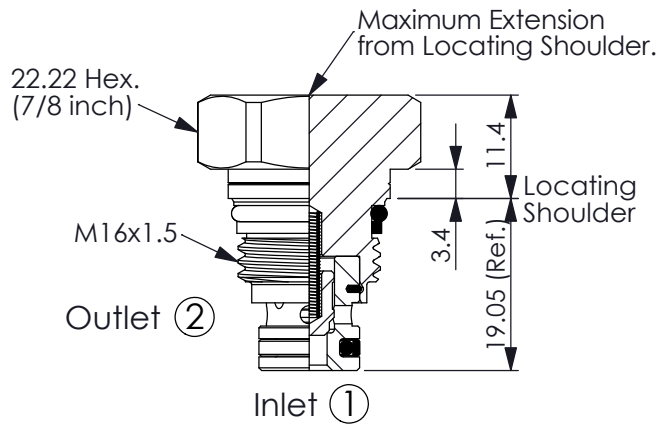
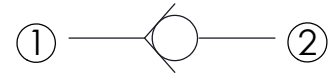


Ordering Code: **CV-8A-X-Y-Z**



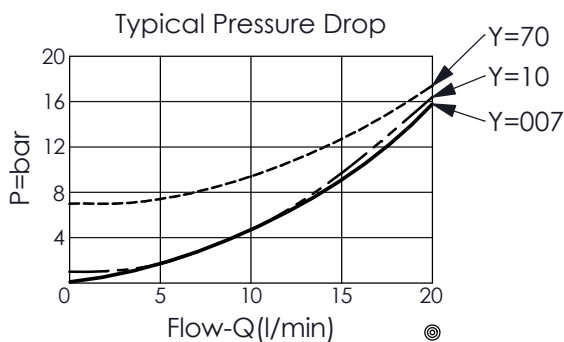
UNIT:mm

Illustrations / detail are for reference only. Data subject to change.



TECHNICAL DATA

Max. Operating pressure: 350 bar		
Rated flow:	20	l/min
Cavity-Tooling:	8A-2	
Installation torque:	27 - 33	Nm
Weight:	0.051	kg



X OPERATION

20 ① to ② (Free Flow)

Y

SPRINGS

Cracking pressure

007	0.07 bar
10	1.0 bar
70	7.0 bar

Z

OPTION

N Non-adjustable