

## COUNTERBALANCE VALVE (Vented, 280 Bar Maximum Setting)

Ordering Code: **CW-21A-X-Y-Z**

4.0 Hex.  
Turn screw clockwise to reduce setting and release load.

Control Option:  
Maximum extension from locating shoulder. (Z=L Control shown)

3/8"-24UNF-2A  
14.27 Hex. (9/16 inch)  
Torque 9 - 10 Nm  
Apply CH (5JAA097)  
Plastic tamper resistant cover

Ø19

22.22 Hex. (7/8 inch)

73.9

Vent ④

Pilot ③

M20x1.5

Valve ②

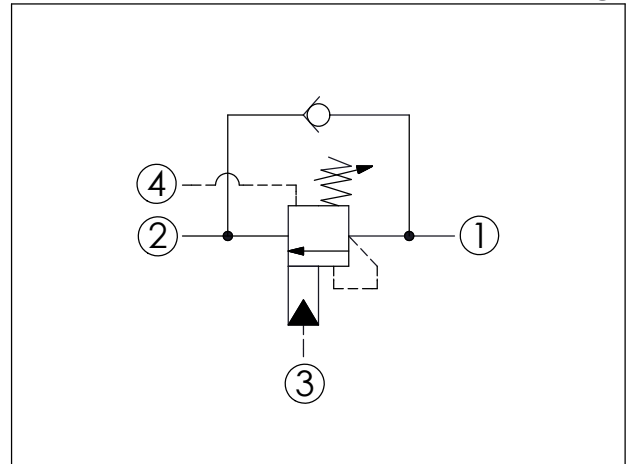
Load ①

35.05 (Ref.)

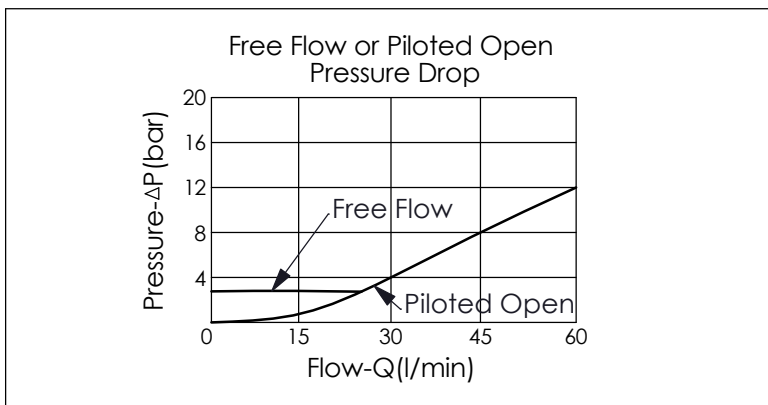
Locating Shoulder

UNIT:mm

Illustrations / detail are for reference only. Data subject to change.



TECHNICAL DATA		
Max. Setting:	280	bar
Rated flow:	60	l/min
Cavity-Tooling:	21A-4	
Installation torque:	40 - 50	Nm
Weight:	0.19	kg
Pressure Setting: Setting should be 1.3 times maximum load induced pressure. (We suggest when the Max. setting pressure is 280 bar, the load pressure has to be lower than 215 bar.)		



X	PILOT RATIO	
4A	1 : 1 (with sealed pilot)	
4C	3 : 1 (with sealed pilot)	

Y	SPRINGS	
	ADJUSTMENT RANGES(2.8 bar Cracking Pressure)	
H	70 - 280 bar (210 bar Standard Setting)	
I	28 - 105 bar (70 bar Standard Setting)	

Z	OPTIONS	
L	Leakproof hex. socket screw.	
C	Stainless Steel Tamper Resistant Cover.	
CB	Plastic Tamper Resistant Cover (Order Code:5JAA093)	