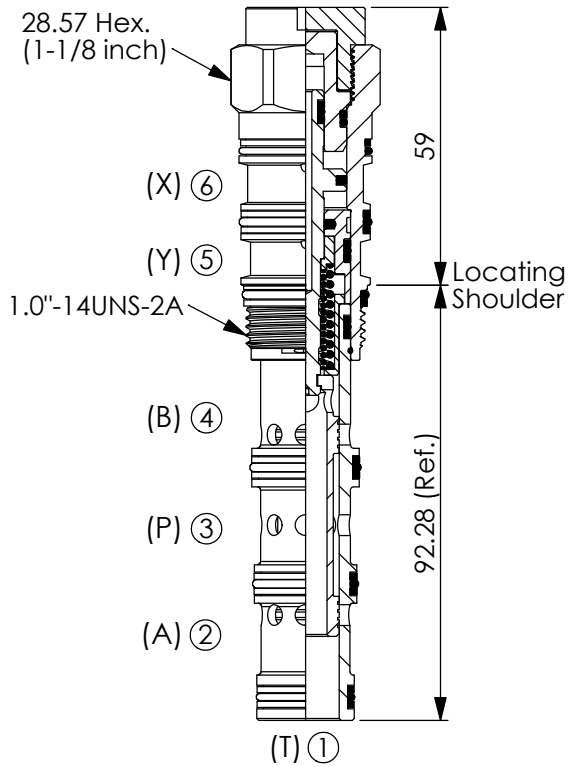
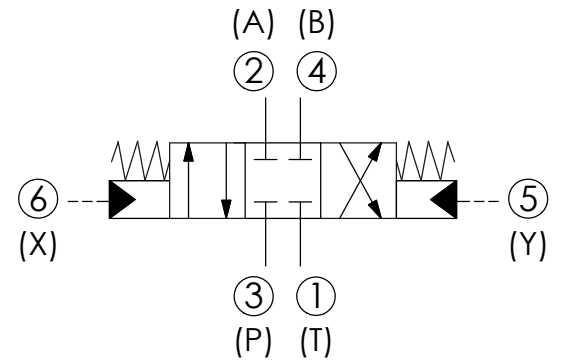


DIRECTIONAL VALVE (4-Way, 3-Position Spool, Pilot-to-shift)

Ordering Code: **DC-62A-X-Y-Z**



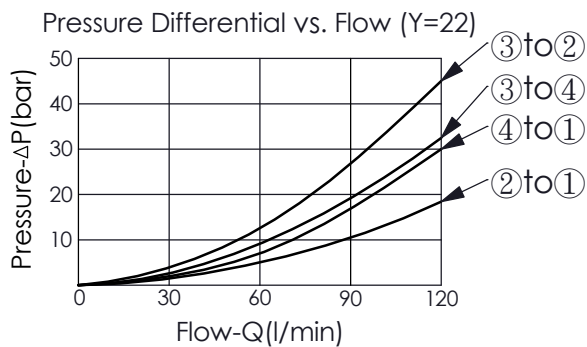
UNIT:mm



TECHNICAL DATA

Max. Operating pressure:	350 bar
Rated flow:	38-120 l/min (Refer To Performance Chart)
Cavity-Tooling:	62A-6
Installation torque:	60 - 70 Nm
Weight:	0.38 kg
<ul style="list-style-type: none"> • Minimum Pilot Pressure Required to Shift Valve : 10.5 bar. • Maximum Leakage Approximately (30 cc/min./70 bar) • All ports will accept 350 bar. 	

Performance Chart



X OPERATION

6E Pilot-to-shift

Y SPOOL CONFIGURATION

22 Spool 4-Way, 3-Position, Blocked Centre

Z OPTIONS

N Non-adjustable