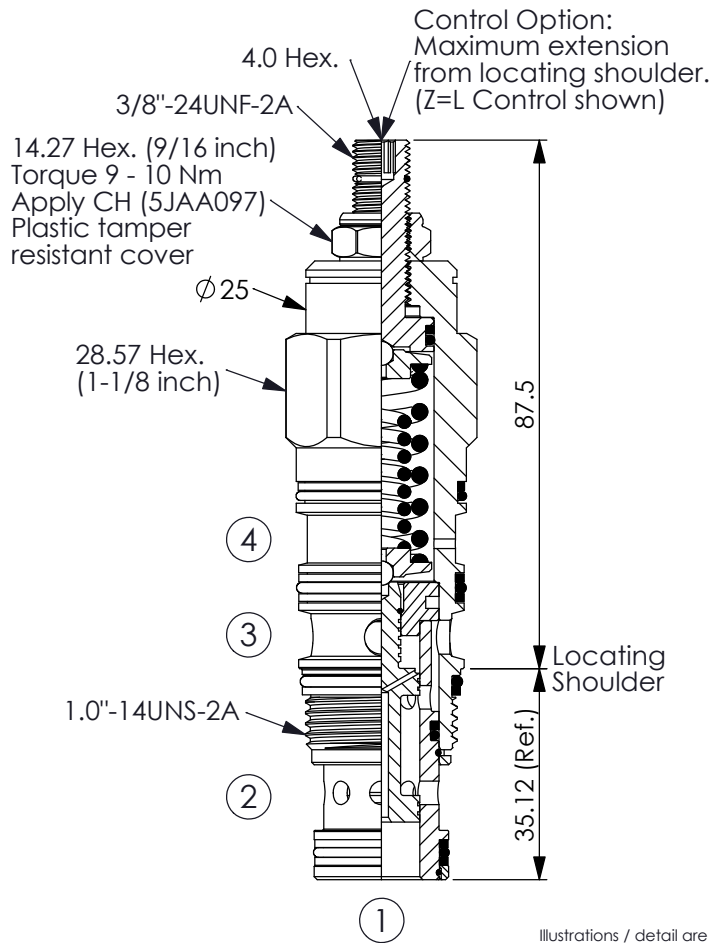


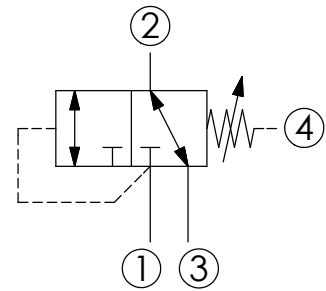
(3-Way, 2-Position, Direct Acting, Port ② to Port ③, Shift Port ① to Port ②, Drain)

Ordering Code: **DD-22A-X-Y-Z**



UNIT:mm

Illustrations / detail are  
for reference only.  
Data subject to change.



### TECHNICAL DATA

Max. pressure: 350 bar

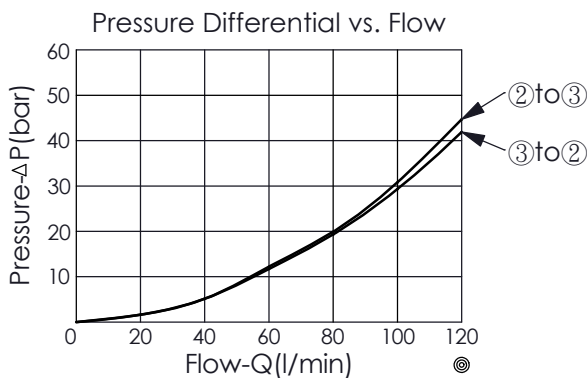
Rated flow: 60 l/min

Cavity-Tooling: 22A-4

Installation torque: 60 - 70 Nm

Weight: 0.313 (Z=L) kg

- Maximum pressure at port ③ recommend be limited to 210 bar, any technical questions, please feel free to consult with our sales dept.
- Pressure at port ④ is directly additive to the setting of the valve.



### X OPERATION

**4Q** Port ② to Port ③,  
Port ① pilot to shift,  
Port ① to Port ②

- Maximum Leakage Approximately (30 cc/min./70 bar)

### Y PRESSURE SETTING

**A** 50 - 210 bar (70 bar Standard Setting)

**B** 20 - 105 bar (35 bar Standard Setting)

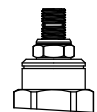
**D** 1.7 - 55 bar (28 bar Standard Setting)

**E** 1.7 - 28 bar (14 bar Standard Setting)

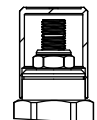
**S** 1.7 - 14 bar (7 bar Standard Setting)

### Z OPTIONS

**L** Leakproof hex.  
socket screw.



**CB** Plastic Tamper  
Resistant Cover  
(Order Code:5JAA098)



**K** Handknob with  
Lock Knob.  
(Order Code: 6ZAK001)

