

DIRECTIONAL VALVE (3-Way, 2-Position, Vent to Shift)

Ordering Code: **DQ-31A-X-Y-Z**

22.22 Hex. (7/8 inch)

M20x1.5

30.2

5.6

Locating Shoulder

Outlet (4)

Inlet (3)

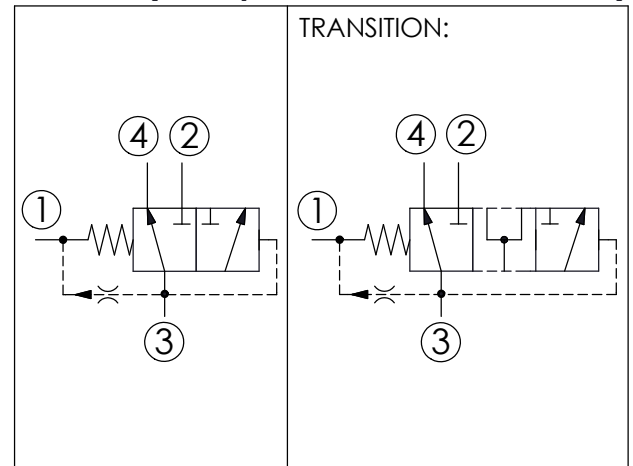
Outlet (2)

Vent (1)

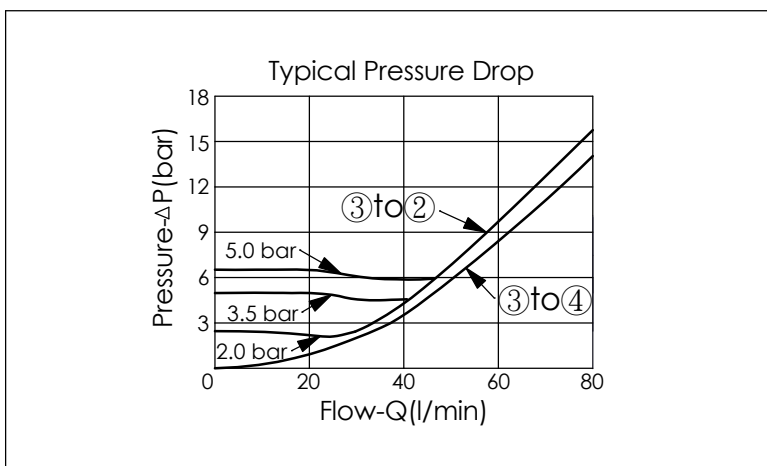
85.12 (Ref.)

UNIT:mm

Illustrations / detail are for reference only. Data subject to change.



TECHNICAL DATA	
Max. Operating pressure:	350 bar
Rated flow:	60 l/min
Cavity-Tooling:	31A-4
Installation torque:	40 - 50 Nm
Weight:	0.17 kg
Nominal Vent Flow(0.38 l/min.)	



X	OPERATION	
41	Vent to shift	Normally Open Diverter

Y	SPRINGS	
	Cracking pressure	
20	2.0 bar	
35	3.5 bar	
50	5.0 bar	

Z	OPTIONS	
N	Non-adjustable	