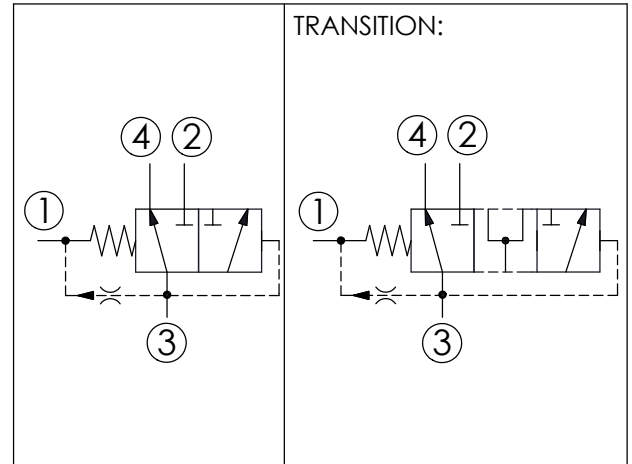


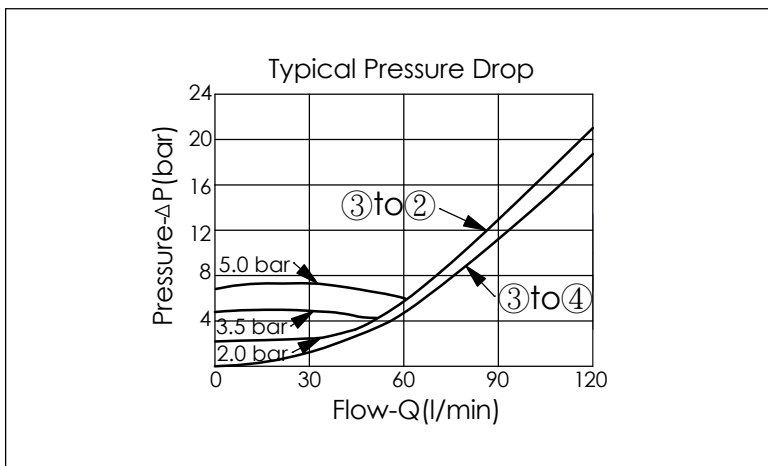
## DIRECTIONAL VALVE (3-Way, 2-Position, Vent to Shift)

Ordering Code: **DQ-32A-X-Y-Z**

UNIT:mm



TECHNICAL DATA	
Max. Operating pressure:	350 bar
Rated flow:	120 l/min
Cavity-Tooling:	32A-4
Installation torque:	60 - 70 Nm
Weight:	0.31 kg
Nominal Vent Flow(0.38 l/min.)	



X	OPERATION
41	Vent to shift Normally Open Diverter

Y	SPRINGS
	Cracking pressure
20	2.0 bar
35	3.5 bar
50	5.0 bar

Z	OPTIONS
N	Non-adjustable