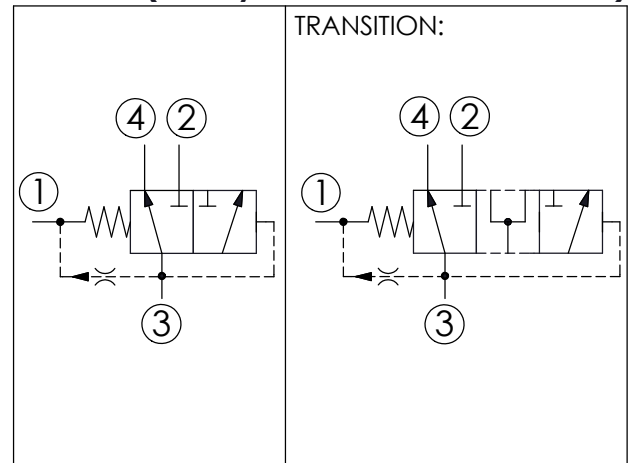
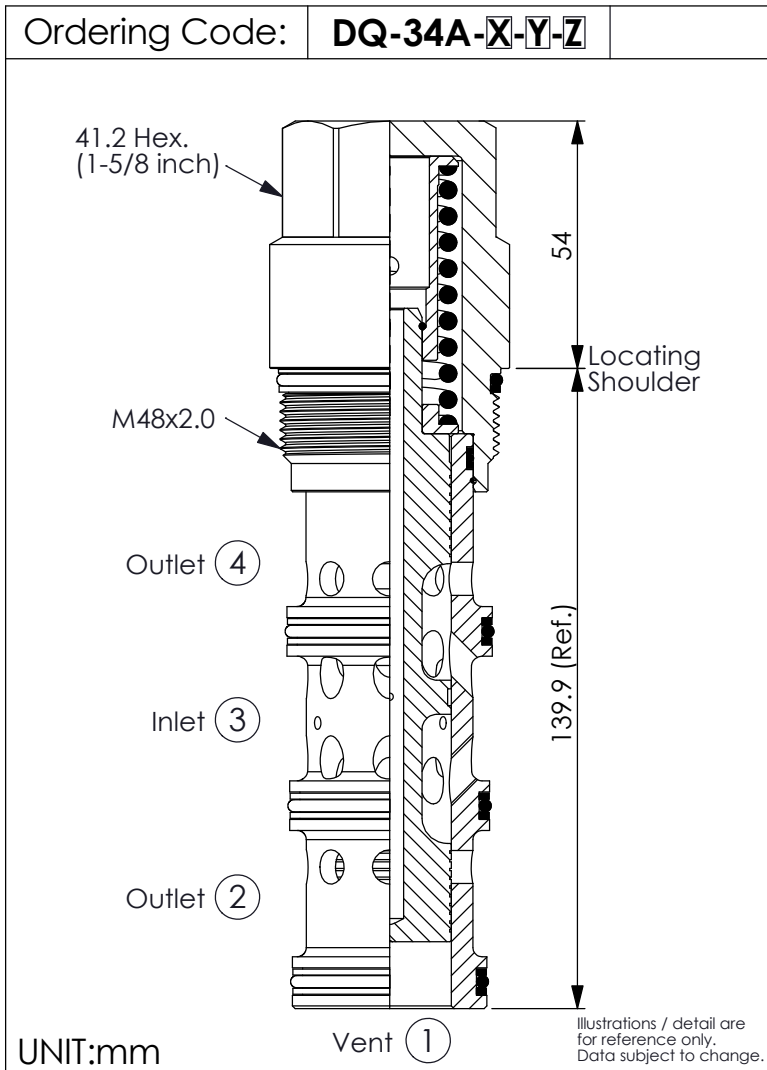
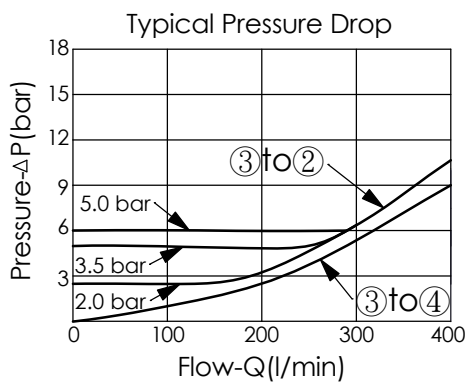


DIRECTIONAL VALVE (3-Way, 2-Position, Vent to Shift)



TECHNICAL DATA

Max. Operating pressure:	350	bar
Rated flow:	480	l/min
Cavity-Tooling:	34A-4	
Installation torque:	465 - 500	Nm
Weight:	1.60	kg
Nominal Vent Flow(0.6 l/min.)		



X OPERATION

41 Vent to shift
Normally Open Diverter

Z OPTIONS

N Non-adjustable

Y	SPRINGS	
	Cracking pressure	
20	2.0 bar	
35	3.5 bar	
50	5.0 bar	