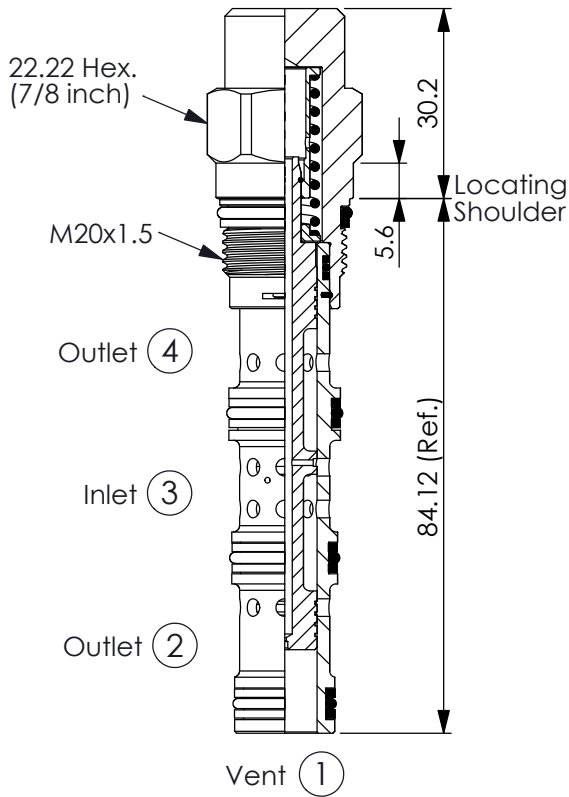
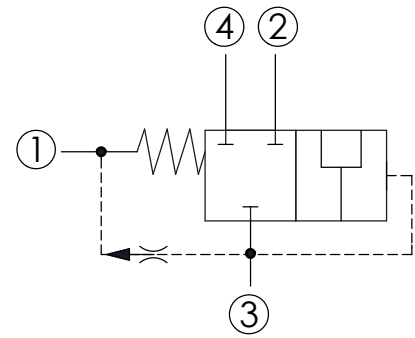


## DIRECTIONAL VALVE (3-Way, 2-Position, Vent to Shift)

Ordering Code: **DQ-31A-X-Y-Z**

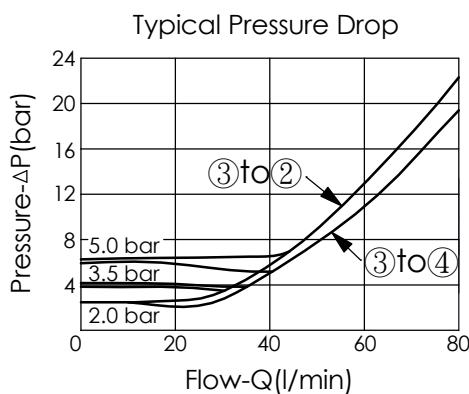


UNIT:mm



### TECHNICAL DATA

Max. Operating pressure:	350 bar	
Rated flow:	60	l/min
Cavity-Tooling:	31A-4	
Installation torque:	40-50	Nm
Weight:	0.17	kg
Nominal Vent Flow(0.38 l/min.)		



**X**

### OPERATION

**40**

Vent to shift  
Normally Closed Diverter

**Z**

### OPTIONS

**N**

Non-adjustable

**Y**

### SPRINGS

Cracking pressure

**20**

2.0 bar

**35**

3.5 bar

**50**

5.0 bar