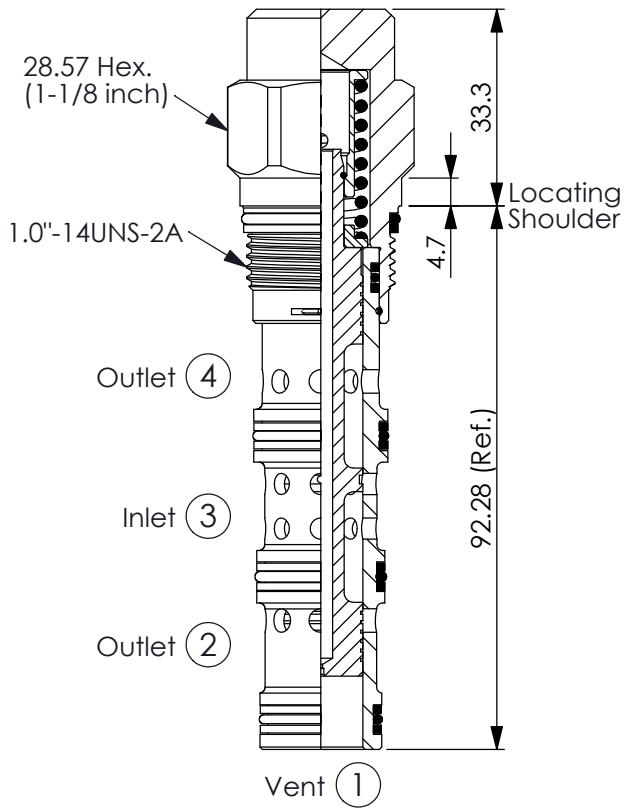
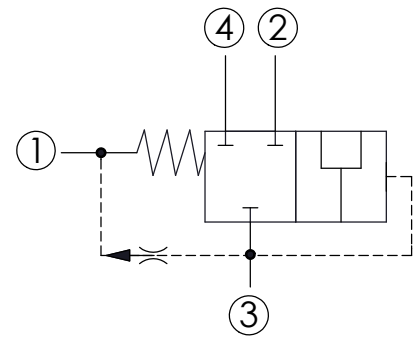


DIRECTIONAL VALVE (3-Way, 2-Position, Vent to Shift)

Ordering Code: **DQ-32A-X-Y-Z**

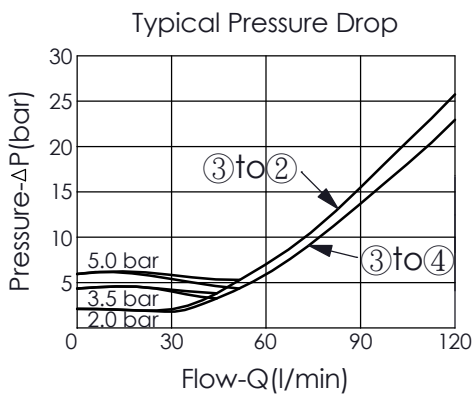


UNIT:mm



TECHNICAL DATA

| | | |
|--------------------------------|---------|-------|
| Max. Operating pressure: | 350 | bar |
| Rated flow: | 120 | l/min |
| Cavity-Tooling: | 32A-4 | |
| Installation torque: | 60 - 70 | Nm |
| Weight: | 0.32 | kg |
| Nominal Vent Flow(0.38 l/min.) | | |



X OPERATION

40 Vent to shift
Normally Closed Diverter

Z OPTIONS

N Non-adjustable

Y SPRINGS

Cracking pressure

20 2.0 bar

35 3.5 bar

50 5.0 bar