

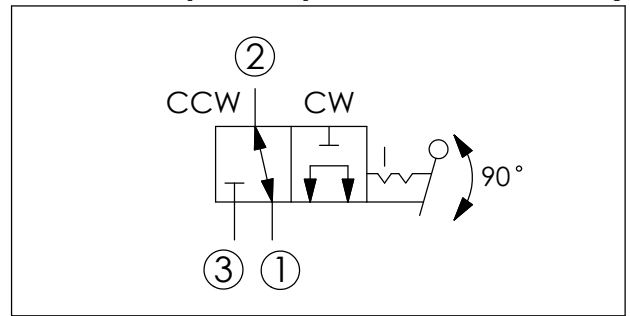
Ordering Code: **DR-10W-X-Y-Z**

**Cartridge Retainer Kit**  
Ordering Code: **7ZE2540C002**

**Manifold**  
Ordering Code: **ML-10W3-X-AC01**

UNIT:mm

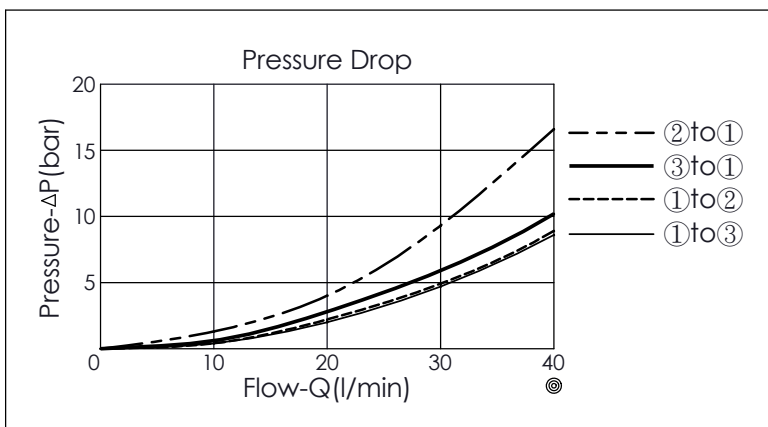
Illustrations / detail are for reference only. Data subject to change.



TECHNICAL DATA	
Max. Operating pressure:	240 bar (Refer To Performance Chart)
Rated flow:	38 l/min (Refer To Performance Chart)
Cavity-Tooling:	10W-3
Installation torque:	35 - 45 Nm
Weight:	0.301 (Z=R-1) kg
<ul style="list-style-type: none"> <li>Manual Rotary Components Installation Instructions: Please refer WINNER accessories. ( J.990.123.E Directional Valve Manual Rotary Components - Installation Instructions )</li> <li>If you need to order lever separately or other specification, please contact WINNER's sales department.</li> </ul>	

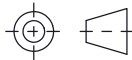
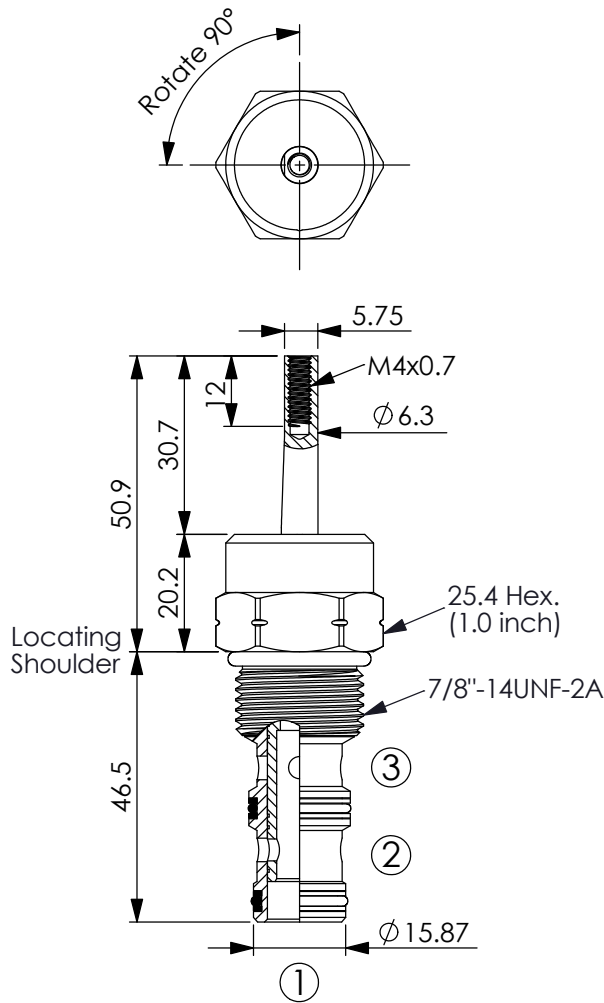
X	STRUCTURE
3A	3-Way, 2-Position, 0° - 90° (2-Position Detent)
<ul style="list-style-type: none"> <li>Maximum Leakage Approximately ( 80 cc/min./240 bar)(VG32, 40°C)</li> </ul>	

Z	OPTIONS
(Blank)	Without Control Accessory Weight: 0.139 kg
R	Manual Rotation Control Accessory (Without Lever) Weight: 0.245 kg
R-1	Manual Rotation With Lever Control Accessory Length: 68 mm Weight: 0.301 kg
R-2	Manual Rotation With Lever Control Accessory Length: 26 mm Weight: 0.267 kg



Y	OPERATION
11	3-Way, 2-Position, Port ② to Port ① (Turn CCW), Port ③ to Port ① (Turn CW)

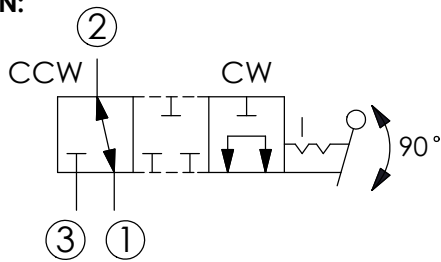
### DR-10W-3A-11



Illustrations / detail are for reference only. Data subject to change.

UNIT:mm

#### TRANSITION:



• 3-Way, 2-Position, During cross-over transition, all ports are blocked.