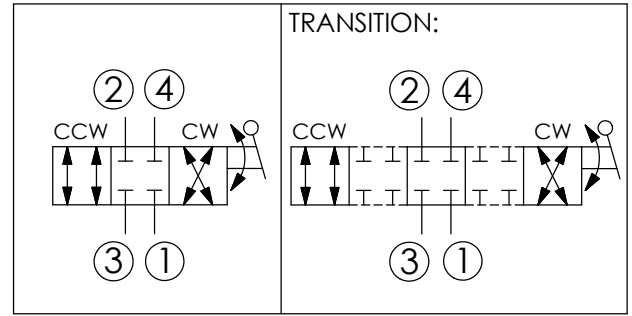
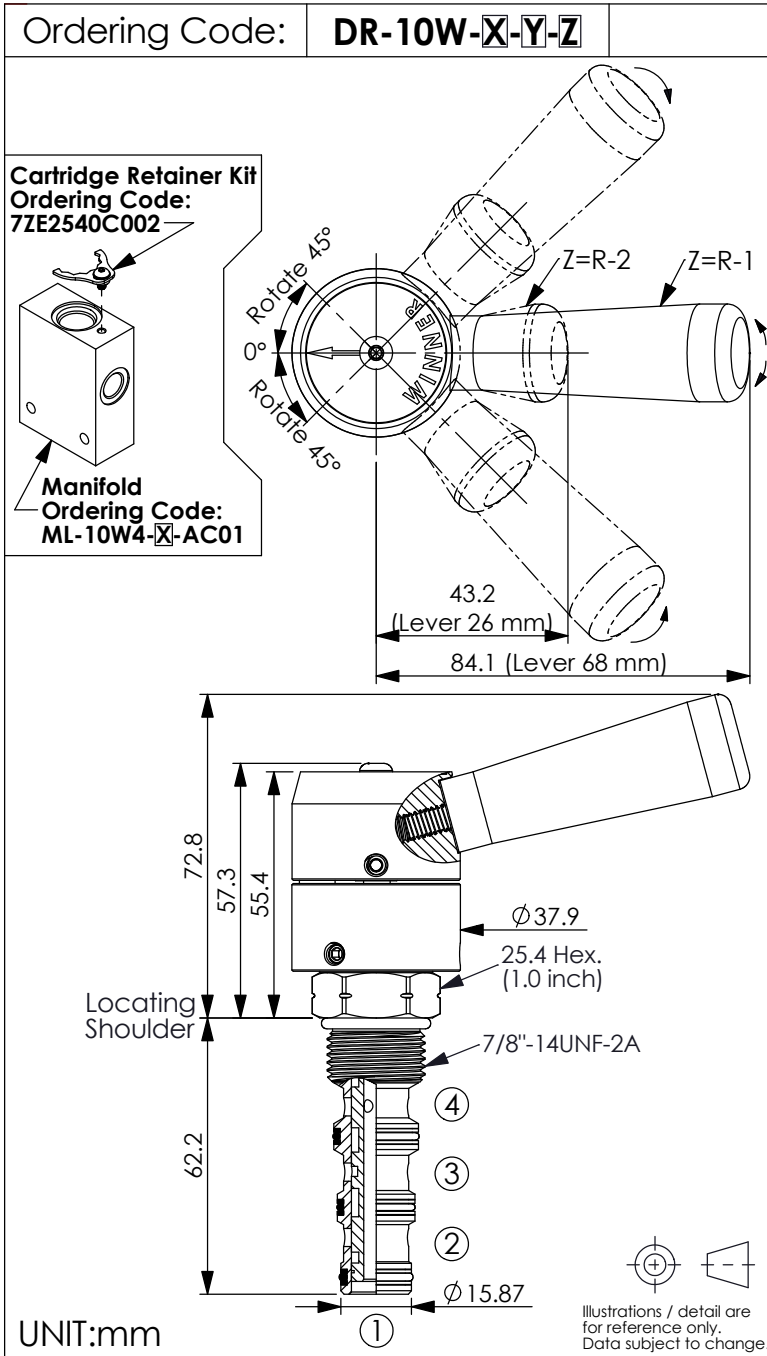


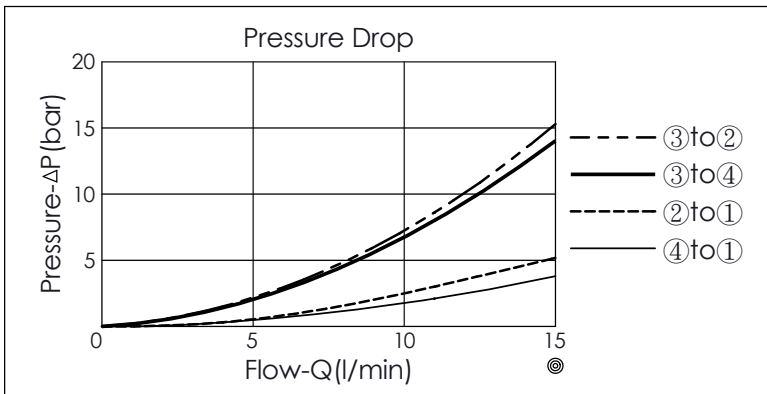
DIRECTIONAL VALVE (Manual Rotary, 4-Way, 3-Position, Blocked Centre)



TECHNICAL DATA	
Max. Operating pressure:	240 bar (Refer To Performance Chart)
Rated flow:	11 l/min (Refer To Performance Chart)
Cavity-Tooling:	10W-4
Installation torque:	35 - 45 Nm
Weight:	0.158 (Z=Blank) kg
<ul style="list-style-type: none"> Manual Rotary Components Installation Instructions: Please refer WINNER accessories. (J.990.123.E Directional Valve Manual Rotary Components - Installation Instructions) If you need to order lever separately or other specification, please contact WINNER's sales department. 	

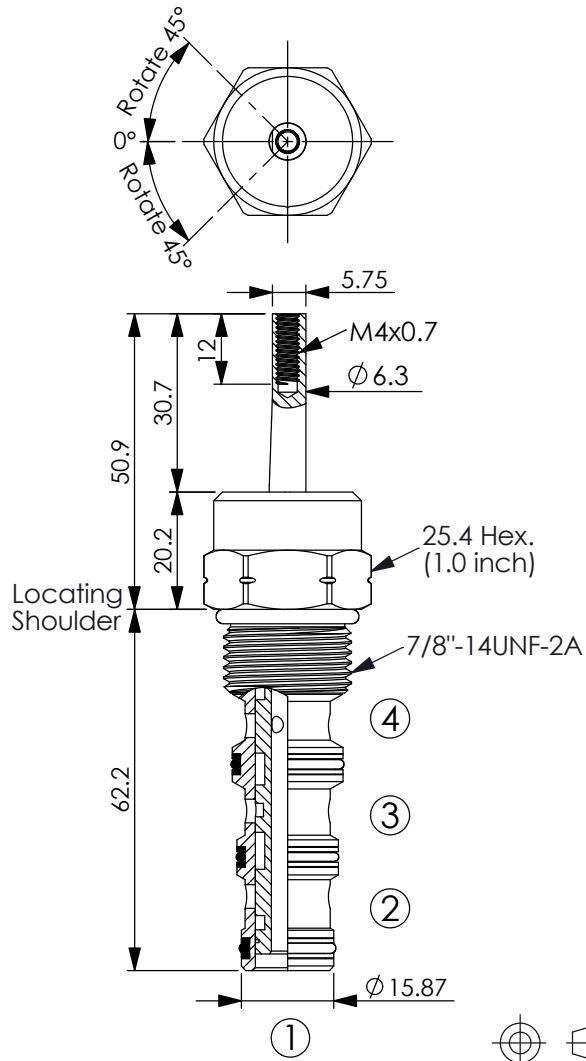
X	STRUCTURE
4B	3-Position Knob, 45° - 0° - 45° (3-Position Detent)
<ul style="list-style-type: none"> Maximum Leakage Approximately (80 cc/min./240 bar)(VG32, 40°C) 	

Z	OPTIONS
(Blank)	Without Control Accessory Weight: 0.158 kg
R	Manual Rotation Control Accessory (Without Lever) Weight: 0.264 kg
R-1	Manual Rotation With Lever Control Accessory Length: 68 mm Weight: 0.320 kg
R-2	Manual Rotation With Lever Control Accessory Length: 26 mm Weight: 0.286 kg



Y	OPERATION
22	4-Way, 3-Position, Blocked Centre, Port ③ to Port ② · Port ④ to Port ① (Turn CCW 45°), Port ③ to Port ④ · Port ② to Port ① (Turn CW 45°)

DR-10W-4B-22



UNIT:mm

Illustrations / detail are for reference only.
Data subject to change.