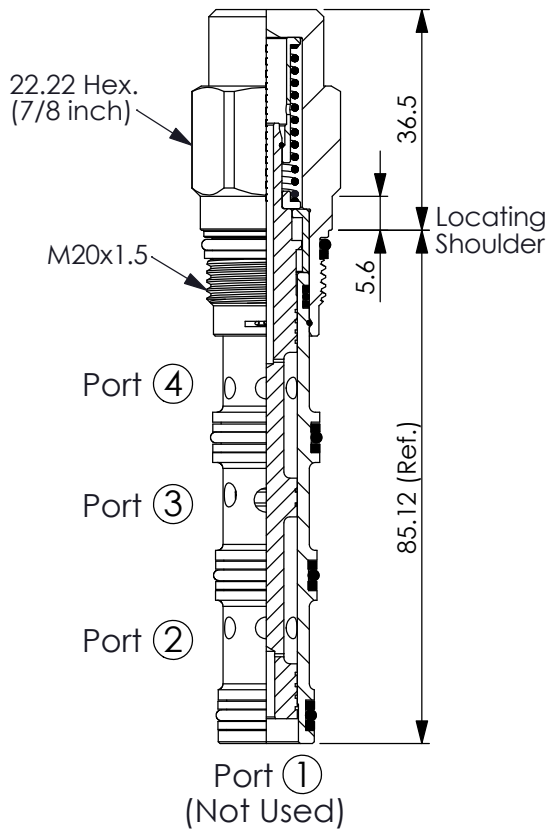


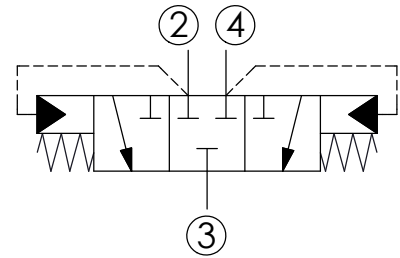
## SHUTTLE VALVE (High Side, 3-Position, Shuttle Valve)

Ordering Code: **DS-31A-X-Y-Z**



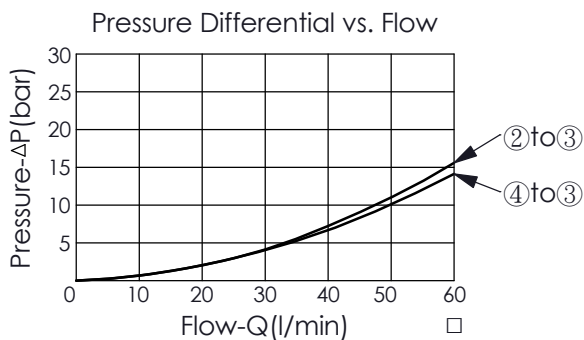
UNIT:mm

Illustrations / detail are for reference only. Data subject to change.



### TECHNICAL DATA

Max.Operating pressure:	350	bar
Rated flow:	60	l/min
Cavity-Tooling:	31A-4	
Installation torque:	40 - 50	Nm
Weight:	0.18	kg



### X OPERATION

**4H** 4 Port (Port ① Not Used), High Side

• Maximum Leakage Approximately (30 cc/min./70 bar)

**Y**

### SPRING

Shifting Pressure

<b>20</b>	2.0 bar
<b>50</b>	5.0 bar
<b>70</b>	7.0 bar
<b>105</b>	10.5 bar

**Z**

### OPTION

**N**

Non-adjustable