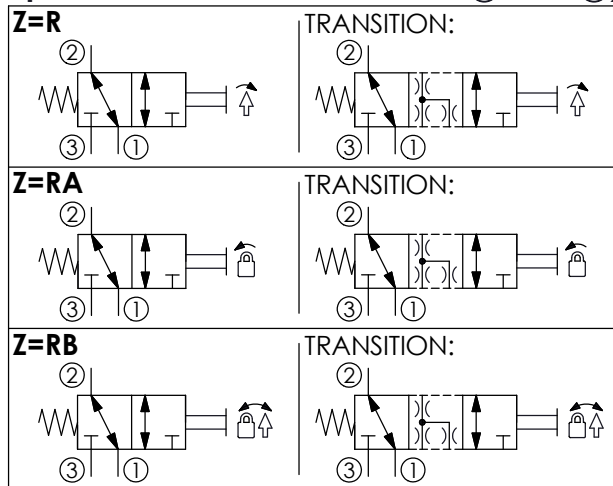
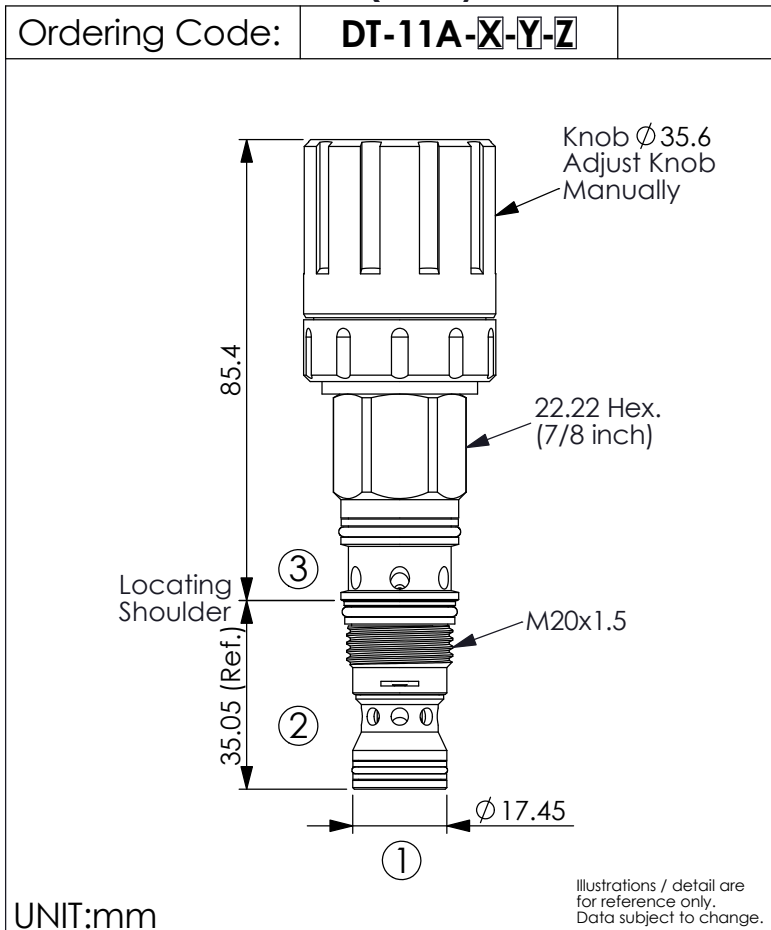


SPOOL DIRECTIONAL VALVE (Direct-Acting)

(3-Way, 2-Position, Manual Operation, Flow Between Ports ② and ③)



TECHNICAL DATA

Max. Operating pressure: 350 bar
(Refer To Performance Chart)

Rated flow: 45 l/min
(Refer To Performance Chart)

Cavity-Tooling: 11A-3

Installation torque: 40 - 50 Nm

Weight: 0.255 kg

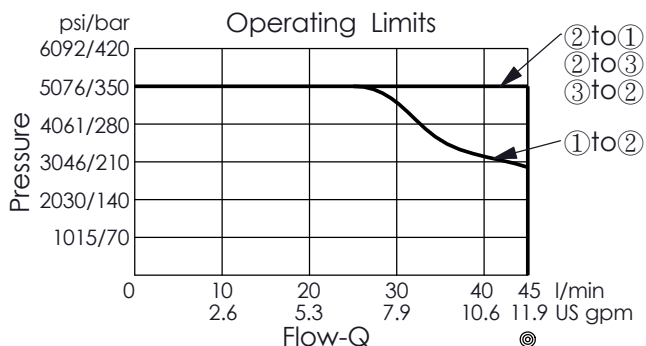
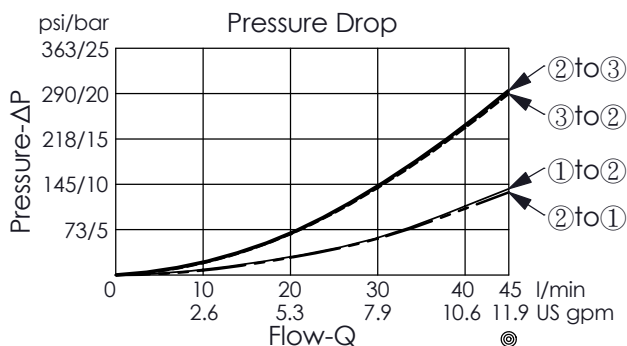
Please refer to the J.990.115.E directional valves manual
override knob instructions:

Z=R type:
Turn knob clockwise to achieve override function. Knob
will return to starting position automatically when release.

Z=RA type:
Turn knob counterclockwise to locked position (fixed
position) to achieve override function. Turn knob clockwise
to release, then knob will return starting position.

Z=RB type:
Combining the operation of R type and RA type to
achieve override function by turning knob clockwise or
counterclockwise. Please refer to R type and RA type
instructions.

***Please note that these operations are for emergency
use only and are not intended for load holding application.**



The performance curve or data is only for reference, as customers' using condition, pressure, flow, hydraulic fluid viscosity, cleanliness, temperature and so on are different, the curve or data will be different.

Y	OPERATION
11	Spool, 3-Way, 2-Position, Flow Between Ports ① and ②, All Ports Open in Transition, Manual operation, Flow Between Ports ② and ③

X	STRUCTURE
3A	Standard Type
· Maximum Leakage Approximately (80 cc/min./210 bar)	

Z	OPTIONS
R	Manual Override Knob (Clockwise Operation, Return Automatically when Release)
RA	Manual Override Knob (Counterclockwise Operation, Return Manually when Release)
RB	Dual Manual Override Knob (Clockwise Operation, Return Automatically when Release) (Counterclockwise Operation, Return Manually when Release)