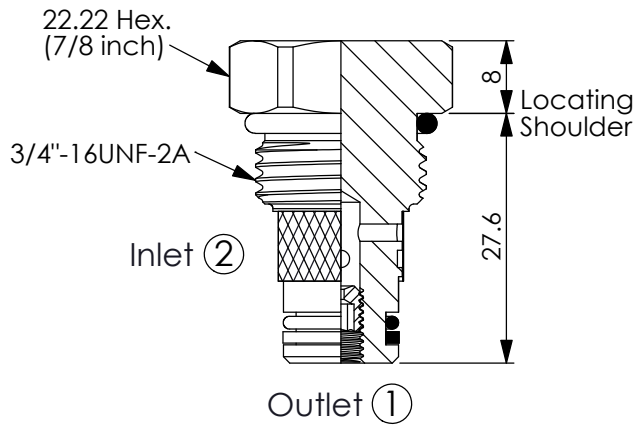
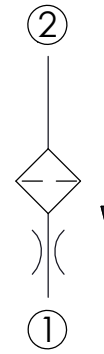


Ordering Code: **FL-08W-X-Y-N-Z**



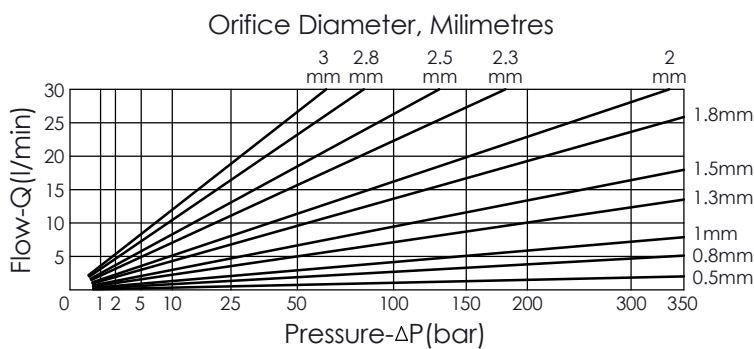
UNIT:mm

Illustrations / detail are for reference only. Data subject to change.



### TECHNICAL DATA

Max. pressure:	350	bar
Rated flow:	20	l/min
Cavity-Tooling:	08W-2	
Installation torque:	25 - 35	Nm
Weight:	0.060 (Z=070)	kg



### X OPERATION

**21** Filtration Direction from ② to ①

### Y FILTER RATING

**A**  $\phi$ 0.3 mm ( 50 mesh )

**B**  $\phi$ 0.15 mm ( 100 mesh )

### Z ORIFICE DIAMETER

(Blank) Without Orifice Plug

**070**  $\phi$ 0.70 mm