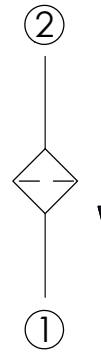
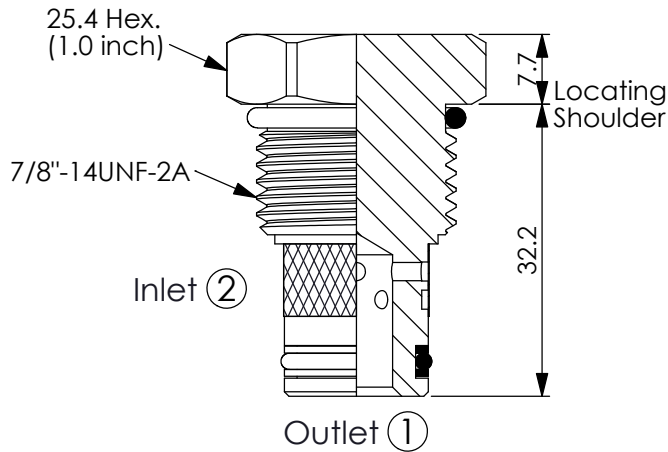


Ordering Code: **FL-10W-X-Y-N-Z**

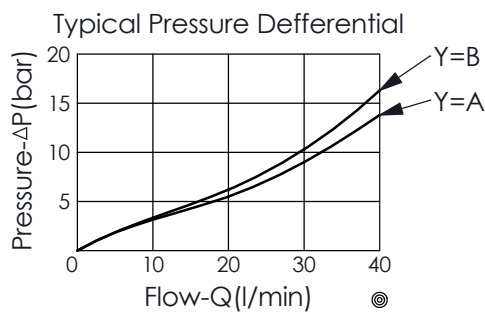


TECHNICAL DATA

Max. pressure:	350	bar
Rated flow:	30	l/min
Cavity-Tooling:	10W-2	
Installation torque:	35 - 45	Nm
Weight:	0.089	kg

UNIT:mm

Illustrations / detail are for reference only. Data subject to change.



X OPERATION

21 Filtration Direction from ② to ①

Y FILTER RATING

A ϕ 0.3 mm (50 mesh)

B ϕ 0.15 mm (100 mesh)

Z ORIFICE DIAMETER

(Blank) Without Orifice Plug