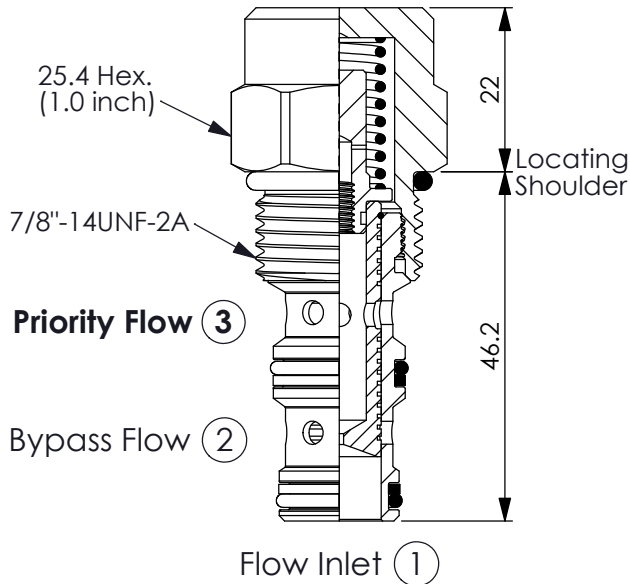


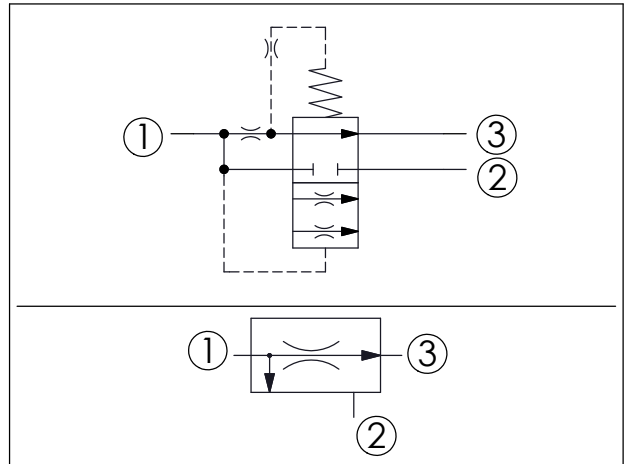
## PRIORITY FLOW CONTROL VALVE (Fixed Orifice, Bypass/Restrictive, Pressure Compensated)

Ordering Code: **FR-10W-X-Y-Z**



UNIT:mm

Illustrations / detail are for reference only. Data subject to change.

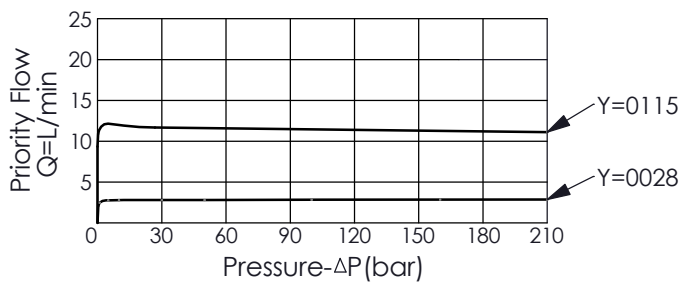


### TECHNICAL DATA

Max. pressure:	240	bar
Maximum Inlet Flow:	38	l/min
Priority Flow Ranges:	0.4 - 23	l/min
Cavity-Tooling:	10W-3	
Installation torque:	35 - 45	Nm
Weight:	0.22	kg

· Blocking priority flow will also block bypass flow

Typical Performance port ① to port ③



Y	Priority Flow (Port ③) (customer must specify flow)
0025	2.5 LPM
0028	2.8 LPM
0030	3.0 LPM
0115	11.5 LPM

- Factory set flow ratings are within  $\pm 10\%$  of the requested setting
- Customer must specify a flow rating
- Compensator bias spring : 6.5 bar differential
- If you need specific flow accuracy, please contact WINNER's sales department

### X OPERATION

**3F** Fixed orifice, bypass/restrictive, pressure compensated

### Z OPTIONS

**N** Non-adjustable 