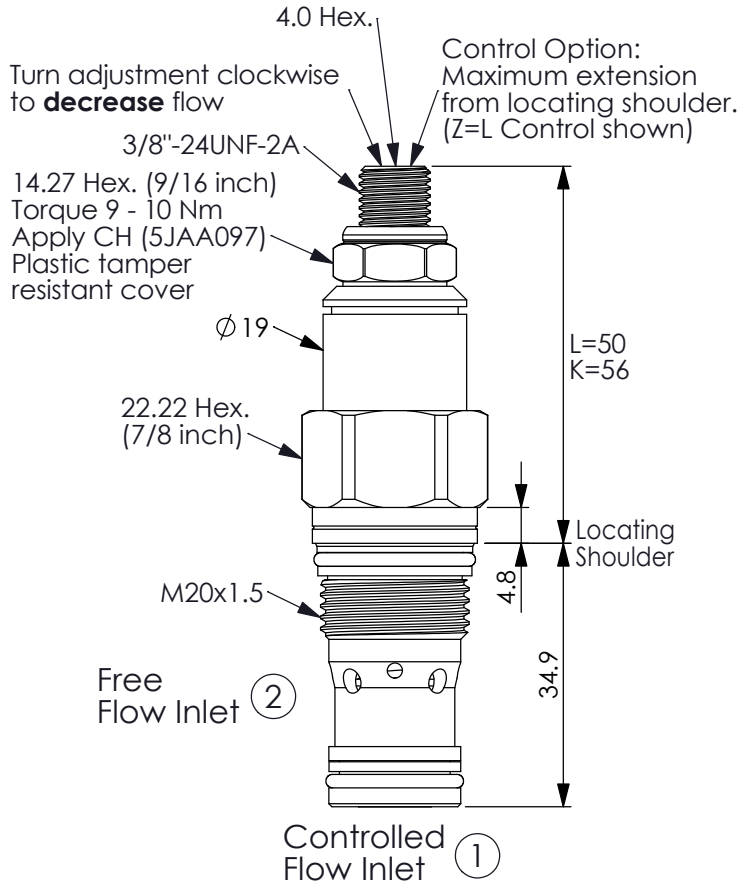
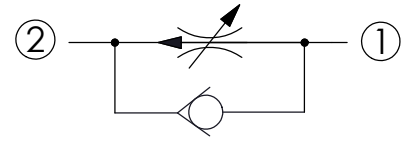


Ordering Code: **FR-13A-X-Y-Z**



UNIT:mm

Illustrations / detail are for reference only. Data subject to change.



TECHNICAL DATA

Max. Operating pressure:	350 bar
Rated flow:	23 l/min
Cavity-Tooling:	13A-2
Installation torque:	40 - 50 Nm
Weight:	0.137 (Z=L) kg
Accurate pressure compensated control requires that a 200 psi (14 bar) minimum pressure differential be maintained across the valve.	

X OPERATION

20 Standard Type

Y FLOW SETTING

A 0.4 - 23 LPM

B 0.4 - 8 LPM

C 0.4 - 4 LPM

Z OPTIONS

L Leakproof hex. socket screw. 

LP Leakproof hex. socket screw. With Stainless Steel External Components 

T Three-winged Handknob Kit. 

K Handknob with Lock Knob. (Order Code: 6ZAK001) 