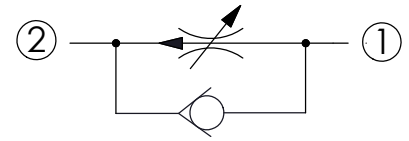
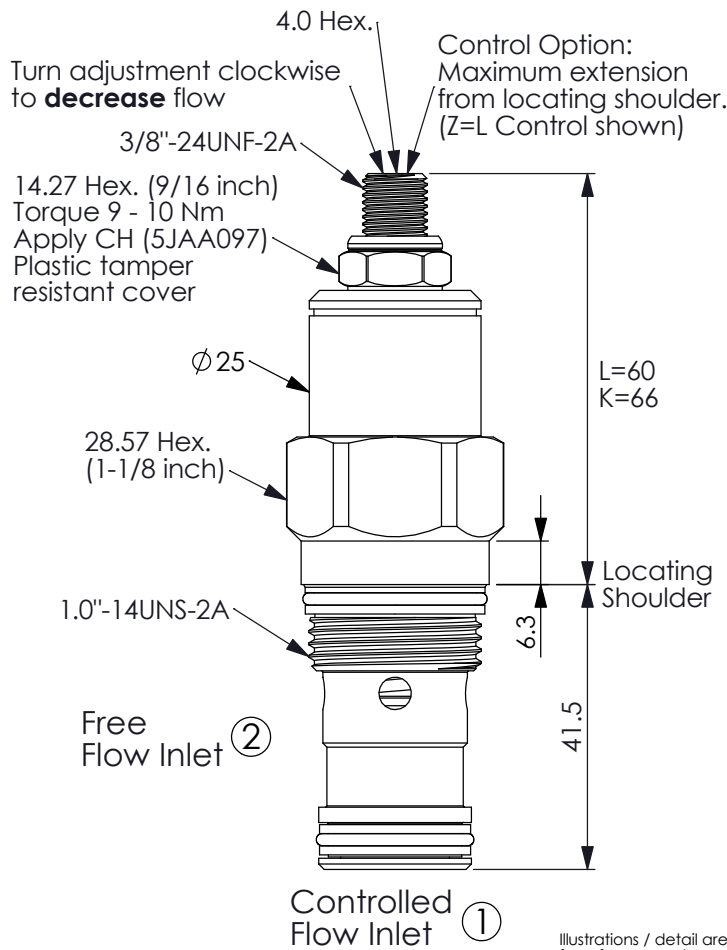


Ordering Code: **FR-5A-X-Y-Z**



### TECHNICAL DATA

Max. Operating pressure: 350 bar

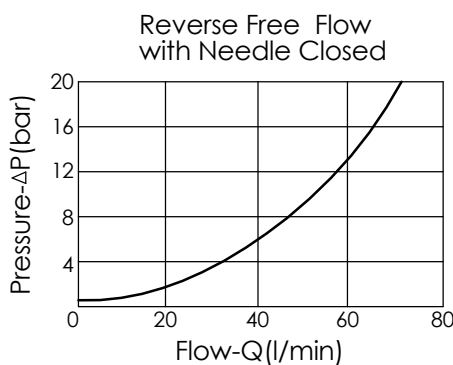
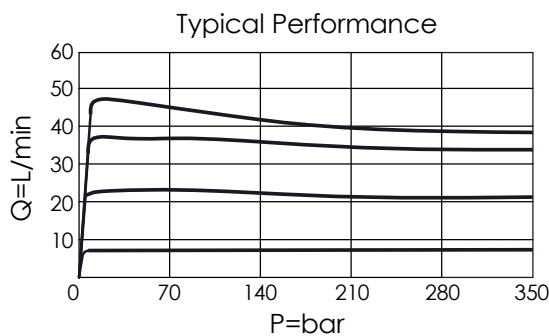
Rated flow: 45 l/min

Cavity-Tooling: 5A-2

Installation torque: 60 - 70 Nm

Weight: 0.27 kg

Accurate pressure compensated control requires that a 200 psi (14 bar) minimum pressure differential be maintained across the valve.




### X OPERATION

20 Standard Type


### Y FLOW SETTING

A 0.4 - 45 LPM

### Z OPTIONS

L Leakproof hex. socket screw. 

LP Leakproof hex. socket screw. With Stainless Steel External Components 

T Three-winged Handknob Kit. 

K Handknob with Lock Knob. (Order Code: 6ZAK001) 