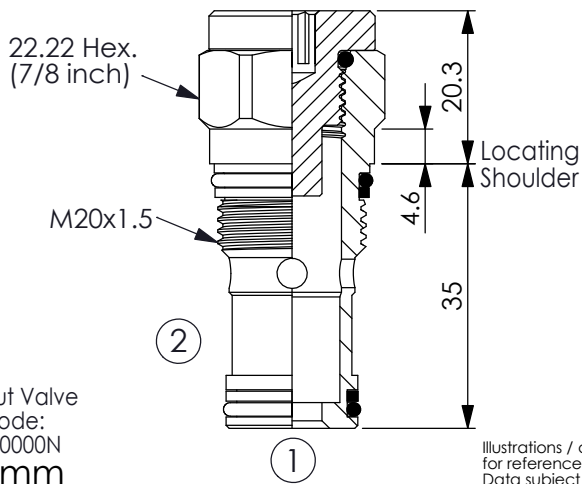
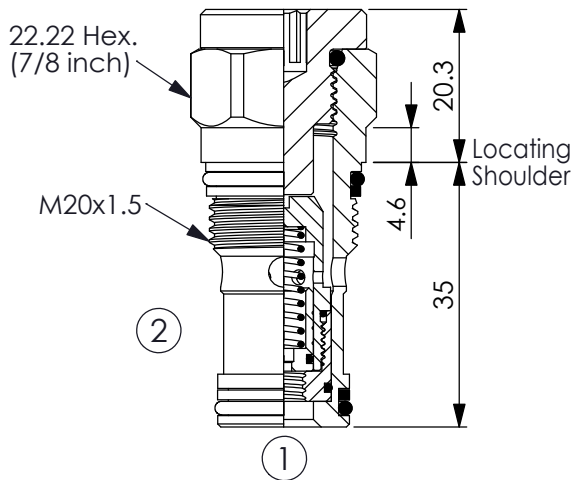


FLOW CONTROL VALVE (Fixed Orifice, Pressure Compensated)

Ordering Code: **FR-13A-X-Y-Z-1**



※Without Valve
Order Code:
FR13A2F0000N
UNIT:mm

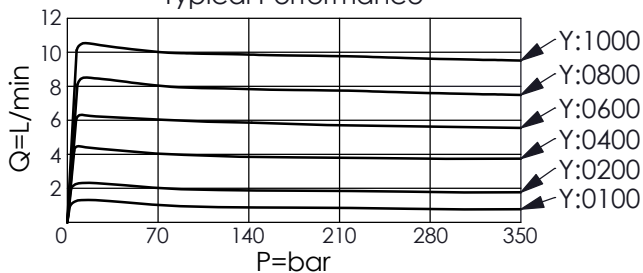
Illustrations / detail are
for reference only.
Data subject to change.



TECHNICAL DATA

Pressure min-max:	10 - 350	bar
Rated flow:	10	l/min
Cavity-Tooling:	13A-2	
Installation torque:	40 - 50	Nm
Weight:	0.10	kg

Typical Performance



X OPERATION

2F Fixed Setting

Y FLOW SETTING

0000	Without Valve
0050	0.5 LPM
0065	0.65 LPM
0080	0.8 LPM
0100	1.0 LPM
0150	1.5 LPM
0200	2.0 LPM
0400	4.0 LPM
0530	5.3 LPM
0600	6.0 LPM
0700	7.0 LPM
0800	8.0 LPM
1000	10.0 LPM

· Factory set flow ratings are within $\pm 10\%$ of the requested setting
· If you need specific flow accuracy, please contact WINNER's sales department

Z OPTIONS

N Non-adjustable