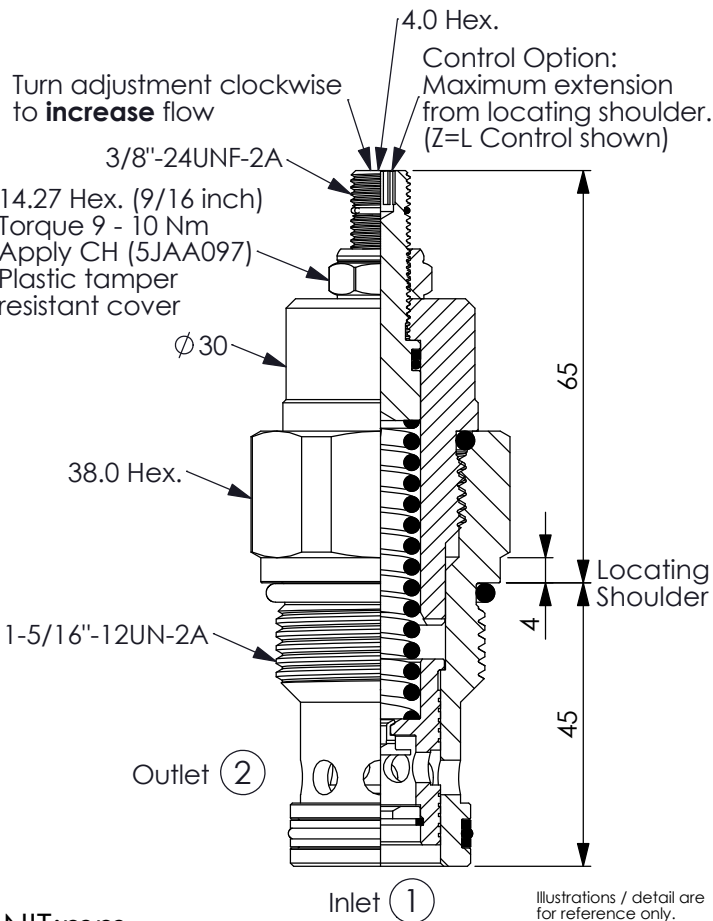


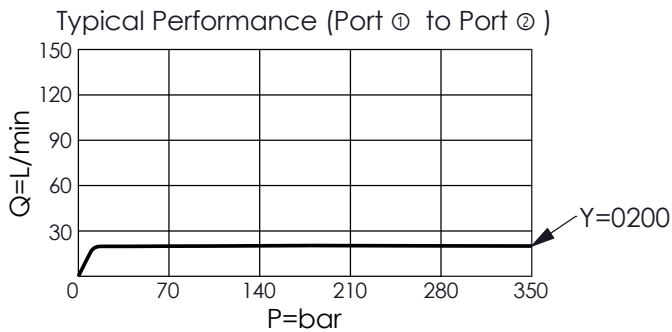
FLOW CONTROL VALVE (Fixed Orifice, Pressure Compensated)

Ordering Code: **FR-16W-X-Y-Z**



TECHNICAL DATA

Max. Operating Pressure:	350	bar
Rated flow:	120	l/min
Cavity-Tooling:	16W-2	
Installation torque:	60 - 70	Nm
Weight:	0.497 (Z=L)	kg



Y	FLOW SETTING
0200	20.0 LPM
<ul style="list-style-type: none"> Factory set flow ratings are within $\pm 10\%$ of the requested setting Customer must specify a flow rating If you need detailed information about Port ② to Port ①, please contact Winner's sales department. If you need specific flow accuracy, please contact WINNER's sales department 	

X OPERATION

2F	port ① to port ② pressure compensated ; port ② to port ① fixed orifice
• If a momentary impact pressure is needed in the application, please consult our sales department.	

Z OPTIONS

L	Leakproof hex. socket screw. (Adjustment Ranges Approx. $\pm 25\%$)	
C	Stainless Steel Tamper Resistant Cover.	
K	Handknob with Lock Knob. (Order Code: 6ZAK001)	