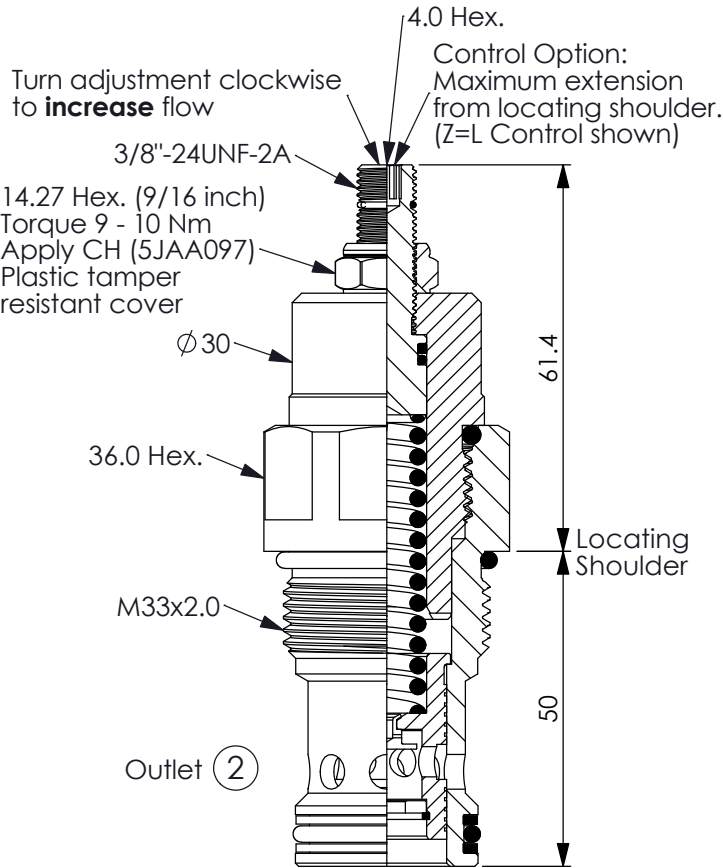


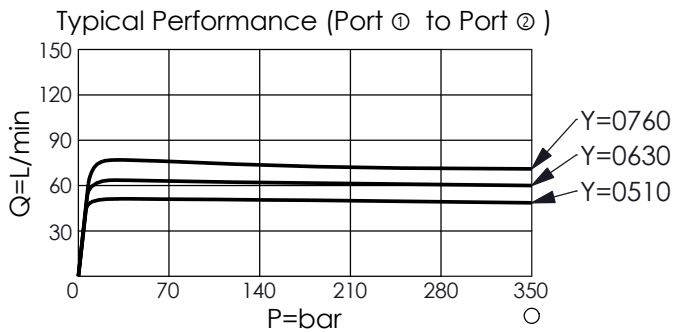
## FLOW CONTROL VALVE (Fixed Orifice, Pressure Compensated)

Ordering Code: **FR-33MC-X-Y-Z**



UNIT:mm

Illustrations / detail are for reference only. Data subject to change.



Y	FLOW SETTING
<b>0510</b>	51.0 LPM
<b>0630</b>	63.0 LPM
<b>0760</b>	76.0 LPM

- Factory set flow ratings are within  $\pm 10\%$  of the requested setting
- Customer must specify a flow rating
- If you need detailed information about Port ② to Port ①, please contact Winner's sales department.
- If you need specific flow accuracy, please contact WINNER's sales department



### TECHNICAL DATA

Max. Operating Pressure:	350	bar
Rated flow:	120	l/min
Cavity-Tooling:	33MC-2	
Installation torque:	80 - 100	Nm
Weight:	0.461 (Z=L)	kg

### X OPERATION

**2F** port ① to port ②  
pressure compensated ;  
port ② to port ①  
fixed orifice

- If a momentary impact pressure is needed in the application, please consult our sales department.

### Z OPTIONS

<b>L</b>	Leakproof hex. socket screw. (Adjustment Ranges Approx. $\pm 25\%$ )	
<b>C</b>	Stainless Steel Tamper Resistant Cover.	
<b>K</b>	Handknob with Lock Knob. (Order Code: 6ZAK001)	