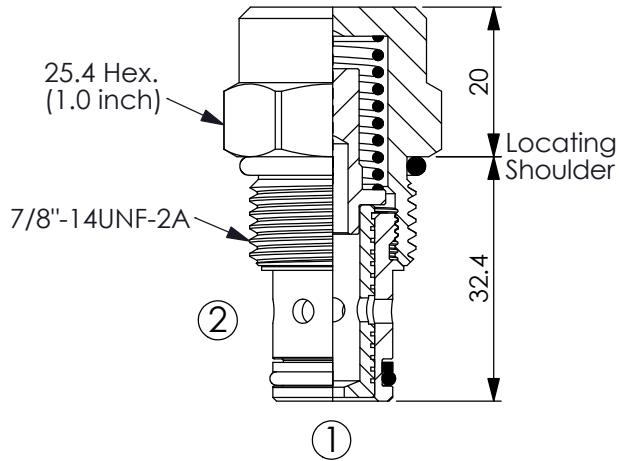


FLOW CONTROL VALVE (Fixed Orifice, Pressure Compensated)

Ordering Code: **FR-10W-X-Y-Z**



UNIT:mm

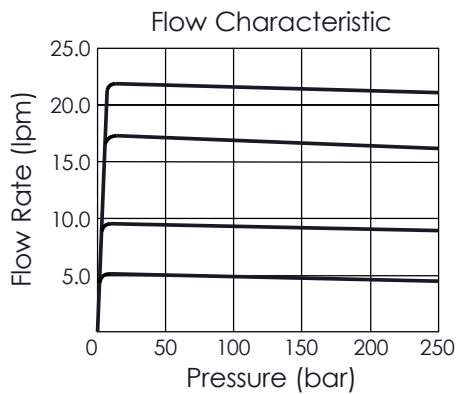
Illustrations / detail are for reference only. Data subject to change.



TECHNICAL DATA

Max. pressure:	240	bar
Rated Flow:	23	l/min
Cavity-Tooling:	10W-2	
Installation torque:	35 - 45	Nm
Weight:	0.12	kg

Accurate pressure compensated control requires that a 6 bar minimum pressure differential be maintained across the valve



X OPERATION

20 Standard Type

Z OPTION

N Non-adjustable

Y	FLOW SETTING
018	1.8 LPM
050	5.0 LPM
120	12.0 LPM
140	14.0 LPM
160	16.0 LPM
230	23.0 LPM

- Setting in LPM
Specify for example: 018 = 1.8 LPM
230 = 23.0 LPM
- Range: 0.4 - 23 LPM ($\pm 10\%$)
- Factory set flow ratings are within $\pm 10\%$ of the requested setting
- If you need specific flow accuracy, please contact WINNER's sales department