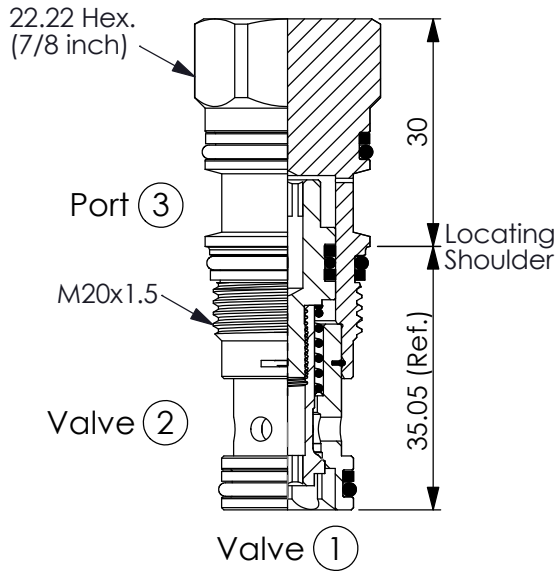
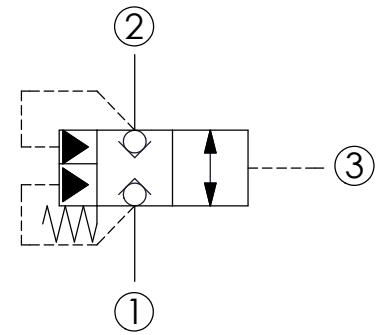


Ordering Code: **LC-11A-X-Y-Z**



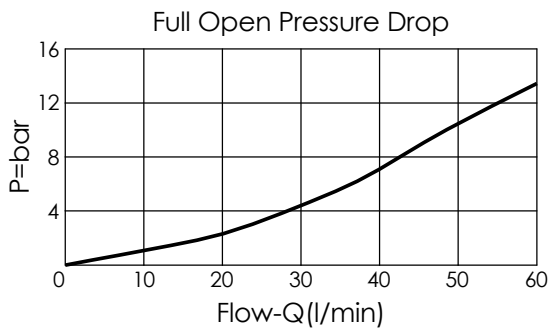
UNIT:mm

Illustrations / detail are for reference only. Data subject to change.



TECHNICAL DATA

| | | |
|------------------------------|---------|-------|
| Max. Operating pressure: | 350 | bar |
| Rated flow: | 60 | l/min |
| Cavity-Tooling: | 11A-3 | |
| Installation torque: | 40 - 50 | Nm |
| Weight: | 0.13 | kg |
| Area ratio:A3 to A1 = 1.8:1 | | |
| Area ratio:A3 to A2 = 2.25:1 | | |



X OPERATION

3C Port ③ pilot source

- Maximum Leakage Approximately (0.7 cc/min./70 bar)
- All ports will accept 350 bar.

Y

SPRINGS

Cracking pressure

35

3.5 bar at port ③

Z

OPTIONS

N Non-adjustable

NP Non-adjustable
With stainless steel
external metal components
(Buna-N Seal)