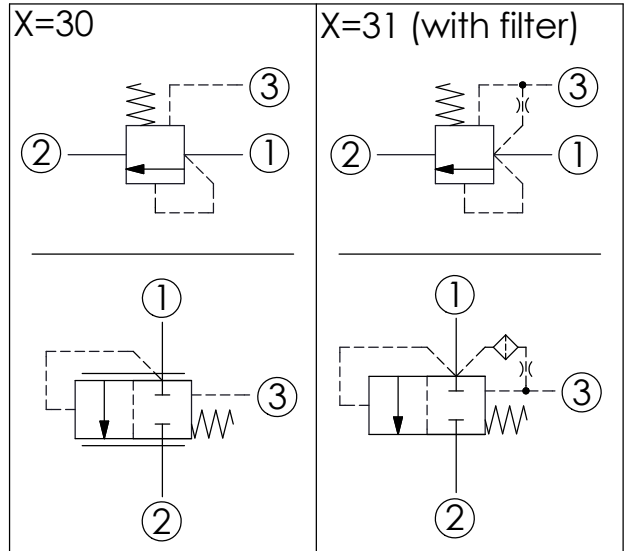
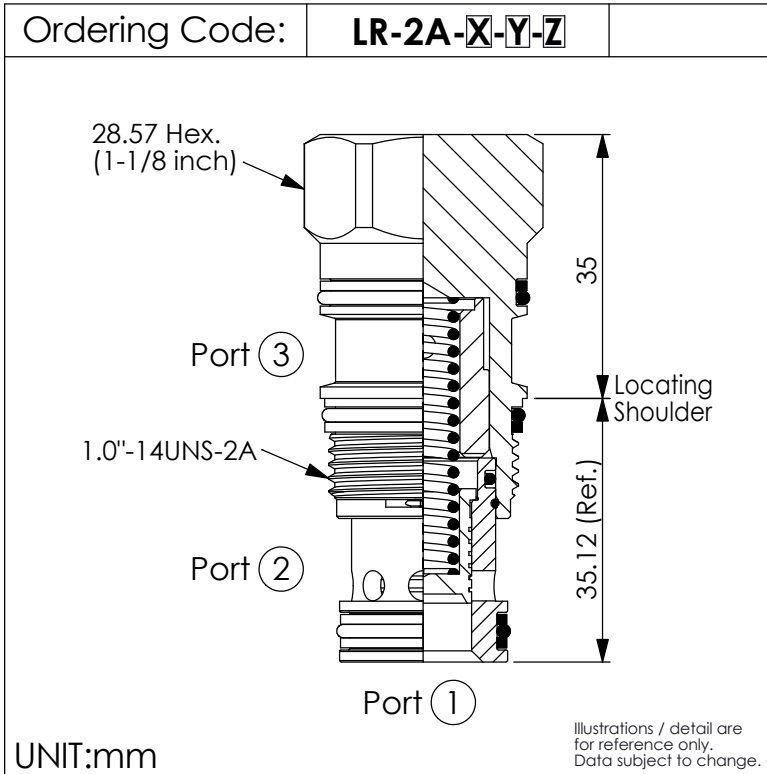
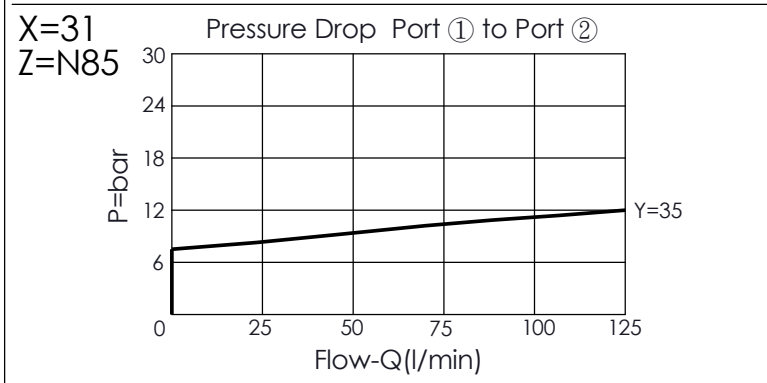
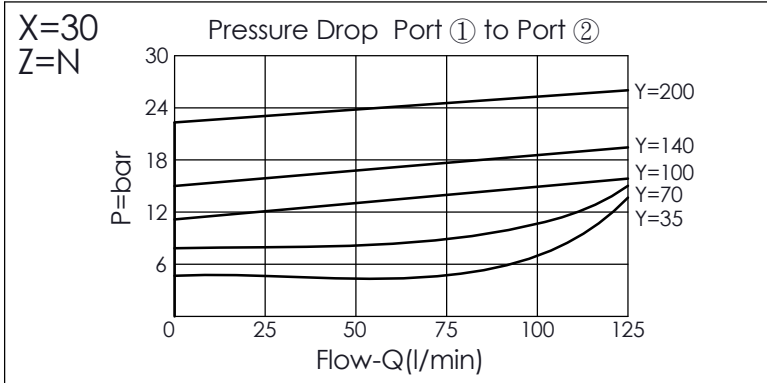


LOGIC ELEMENT VALVE (Spool Type Normally Closed Modulating Element)



TECHNICAL DATA

Max. Operating pressure:	350 bar
Rated flow:	120 l/min
Cavity-Tooling:	2A-3
Installation torque:	60 - 70 Nm
Weight:	0.223 (Z=N) kg



X	OPERATION
30	External Pilot (bypass compensator)
31	Internal Pilot (Port ① to Port ③) (mainstage relief element)

Y	SPRINGS	
	Cracking pressure	
10	1.0 bar	(Only X=31)
35	3.5 bar	
70	7.0 bar	
100	10.0 bar	
140	14.0 bar	
200	20.0 bar	

Z	OPTION
N	Non-adjustable
NP	Non-adjustable With stainless steel external metal components (Buna-N Seal)
N85	Fast-acting (Only X=31)