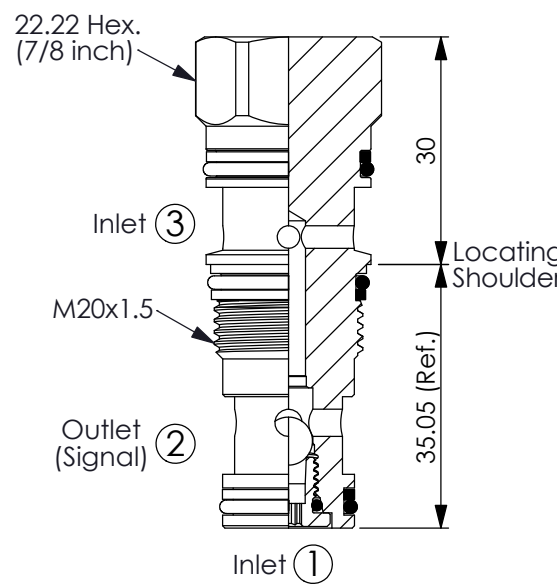
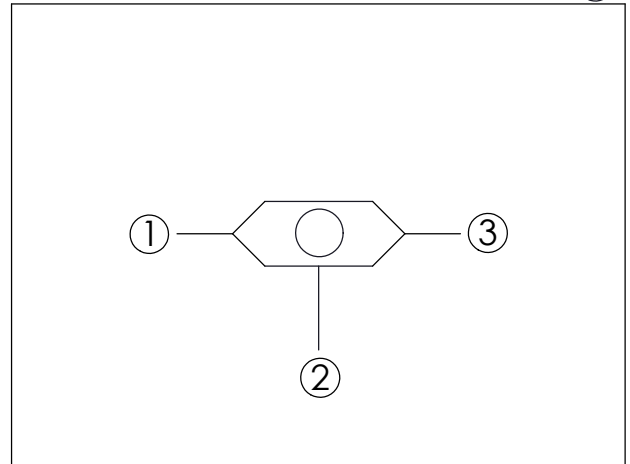


Ordering Code: **LS-11A-X-Y-Z**

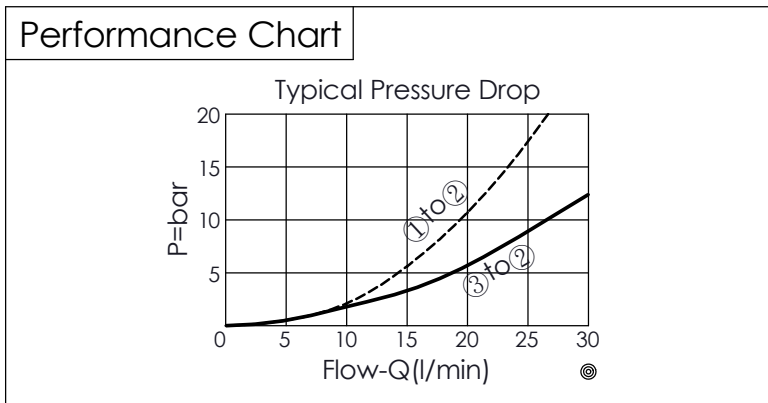


UNIT:mm

Illustrations / detail are for reference only. Data subject to change.



TECHNICAL DATA		
Max. Operating pressure: 350 bar		
Rated flow:	20	l/min
(Refer To Performance Chart)		
Cavity-Tooling:	11A-3	
Installation torque:	40 - 50	Nm
Weight:	0.14	kg



X	OPERATION	
32	Signal at Port ② (High Flow)	
• Maximum Leakage Approximately (0.3 cc/min./70 bar)		

Y	SPRING	
N	Non-Spring	

Z	OPTION	
N	Non-adjustable	