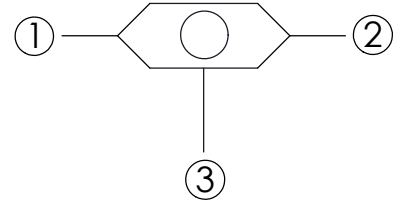
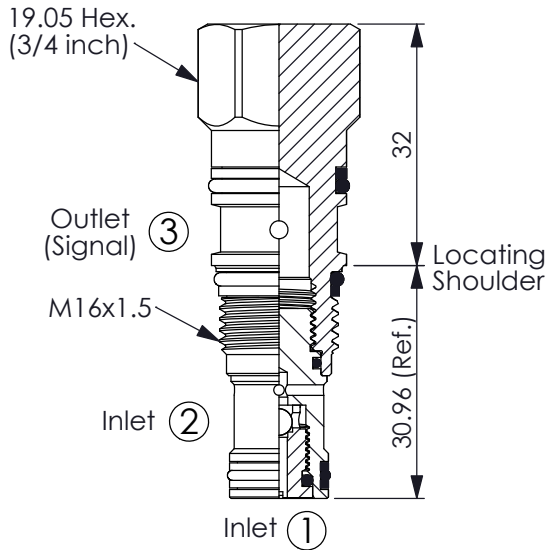


Ordering Code: **LS-163A-X-Y-Z**



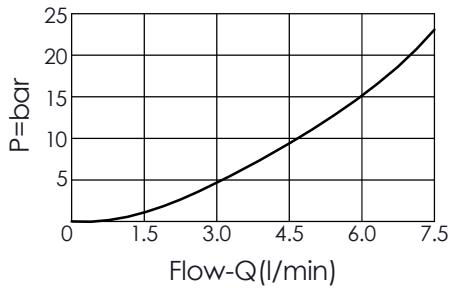
TECHNICAL DATA

Max. Operating pressure:	350	bar
Rated flow:	4.7	l/min
Cavity-Tooling:	163A-3	
Installation torque:	27 - 33	Nm
Weight:	0.08	kg

UNIT:mm

Illustrations / detail are for reference only. Data subject to change.

Performance Details



X OPERATION

33 Signal at Port ③

• Maximum Leakage Approximately (0.3 cc/min./70 bar)

Y

SPRING

N

Non-Spring

Z

OPTION

N

Non-adjustable