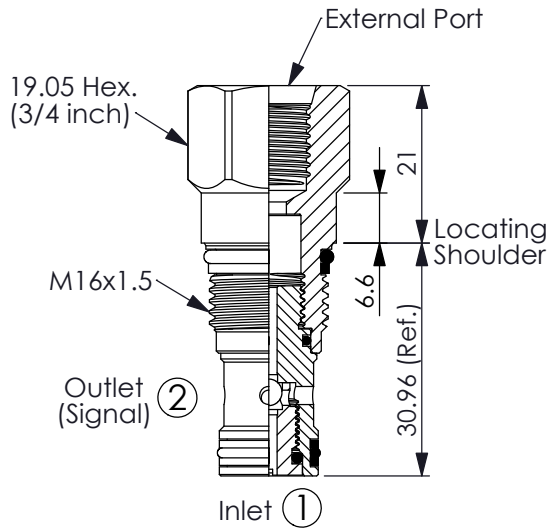
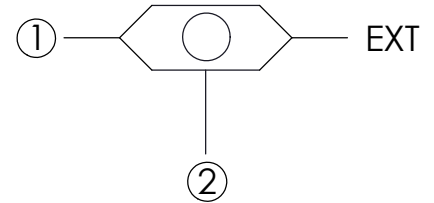


Ordering Code: **LS-162A-X-Y-Z**



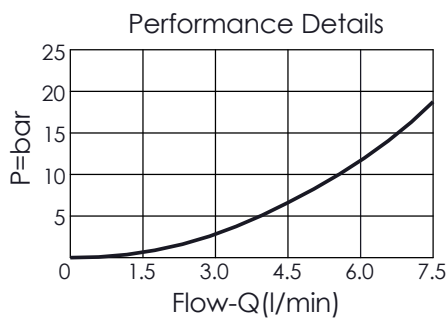
UNIT:mm

Illustrations / detail are for reference only. Data subject to change.



TECHNICAL DATA

Max. Operating pressure:	350	bar
Rated flow:	4.7	l/min
Cavity-Tooling:	162A-2	
Installation torque:	27 - 33	Nm
Weight:	0.07	kg



X OPERATION

22 Signal at Port ② (Standard)

• Maximum Leakage Approximately (0.3 cc/min./70 bar)

Y

SPRING

N

Non-Spring

Z

OPTION

G02

External G1/4" Port

S04

External SAE-4 Port (7/16"-20UNF-2B)