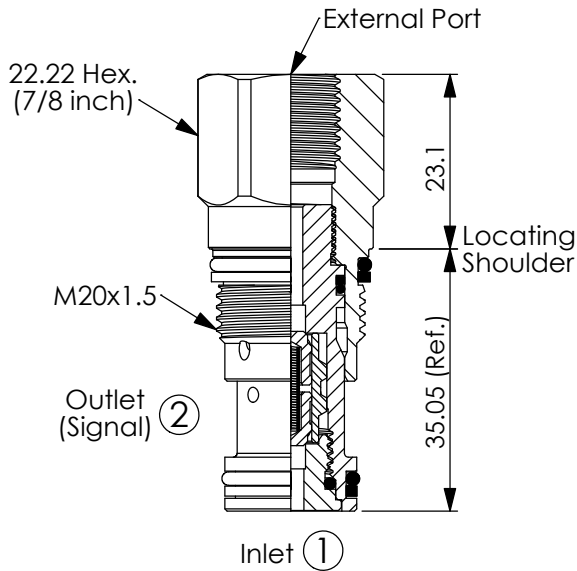
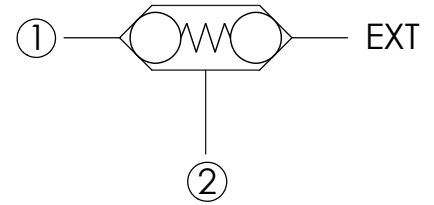


Ordering Code: **LS-13A-X-Y-Z**



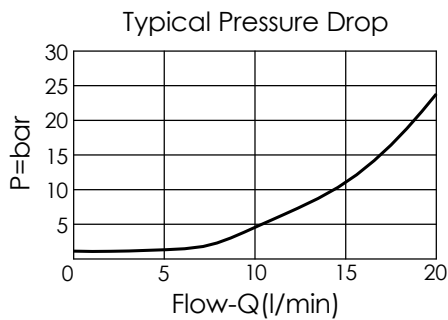
UNIT:mm

Illustrations / detail are for reference only. Data subject to change.



### TECHNICAL DATA

Max. Operating pressure:	350	bar
Rated flow:	10	l/min
Cavity-Tooling:	13A-2	
Installation torque:	40 - 50	Nm
Weight:	0.11	kg



### X OPERATION

**2B** Signal at Port ② (Standard)

· Maximum Leakage Approximately (0.3 cc/min./70 bar)

### Y SPRING

**N** 1.0 bar

### Z OPTION

**G02** External G1/4" Port

**S04** External SAE-4 Port (7/16"-20UNF-2B)