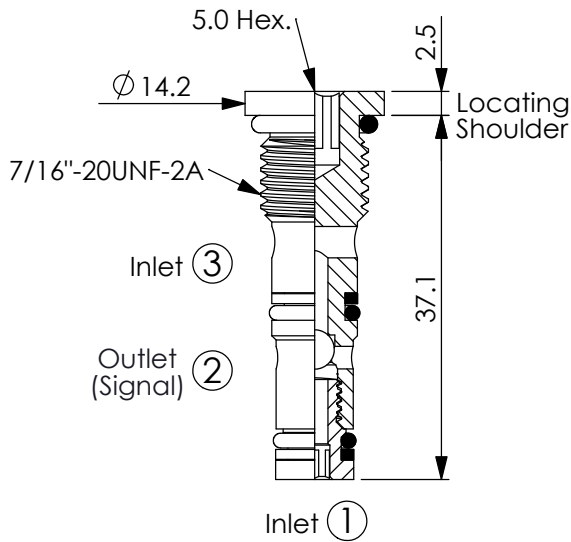
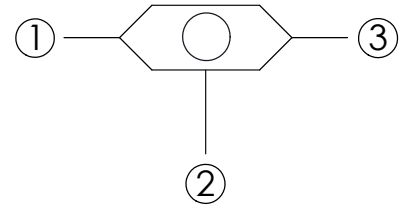


Ordering Code: **LS-04WA-X-Y-Z**



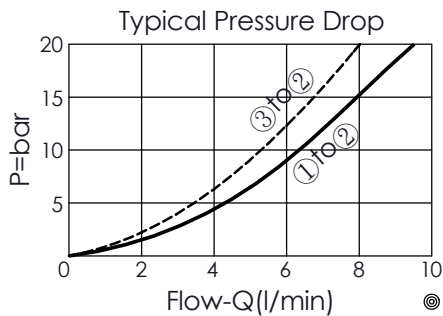
UNIT:mm

Illustrations / detail are for reference only. Data subject to change.



TECHNICAL DATA

Max. Operating pressure:	350	bar
Rated flow:	6	l/min (Refer To Performance Chart)
Cavity-Tooling:	04WA-3	
Installation torque:	14 - 16	Nm
Weight:	0.016	kg



X OPERATION

30 Signal at Port ② (Standard)

• Maximum Leakage Approximately (0.3 cc/min./70 bar)

Y

SPRING

N

Non-Spring

Z

OPTION

N

Non-adjustable