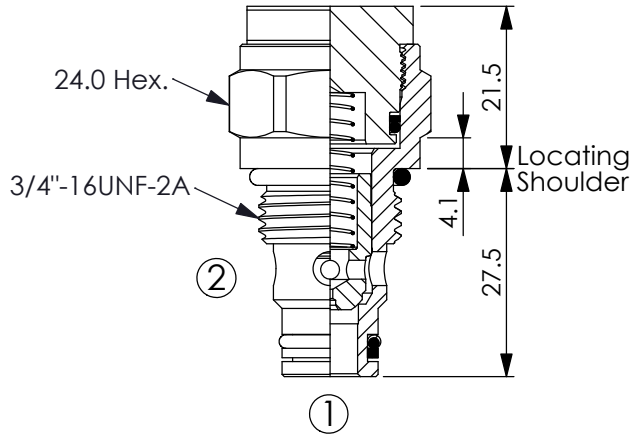
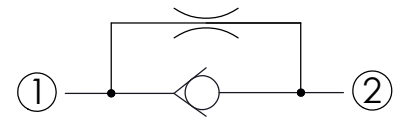


Ordering Code: **NC-08W-X-Y-N-Z**



UNIT:mm

Illustrations / detail are for reference only. Data subject to change.



### TECHNICAL DATA

Max. operating pressure: 350 bar  
(Refer To Performance Chart)

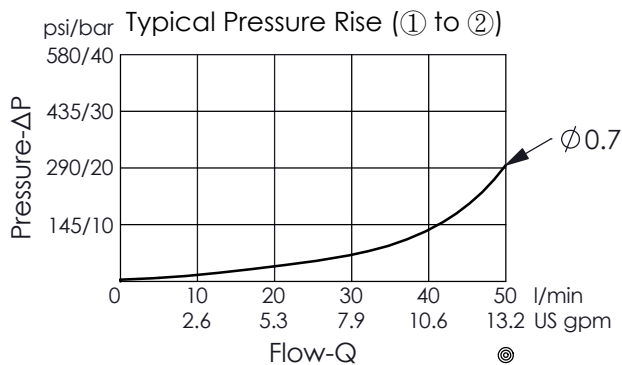
Rated flow: ① to ② 30 l/min  
(Refer To Performance Chart)

Cavity-Tooling: 08W-2

Installation torque: 25 - 35 Nm

Weight: 0.096 kg

Z=03



X	OPERATION	
22	Standard Type	

Y	OPTIONS	
	Orifice Diameter (Port ② to ①)	
07	Ø0.7 mm	
06	Ø0.6 mm	
05	Ø0.5 mm	
04	Ø0.4 mm	

Z	OPTIONS	
	Cracking Pressure (Port ① to Port ②)	
03	0.3 bar	
10	1.0 bar	
20	2.0 bar	
50	5.0 bar	

Refer to T.101.106.E Technical Information :  
ORIFICE VS. PRESSURE DROP CURVES CHART