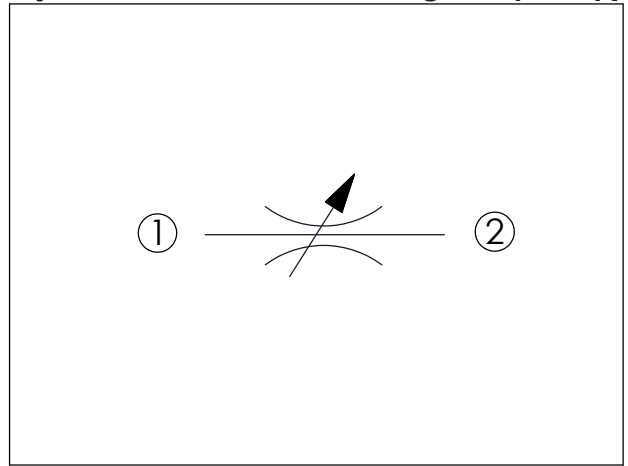
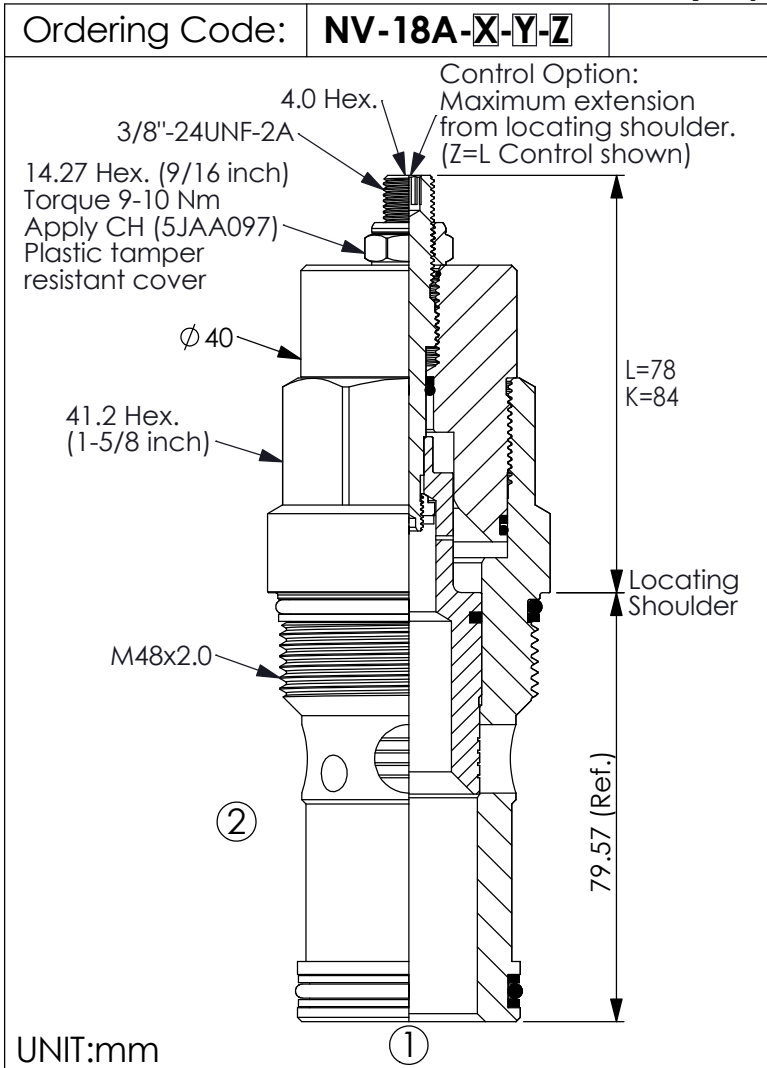
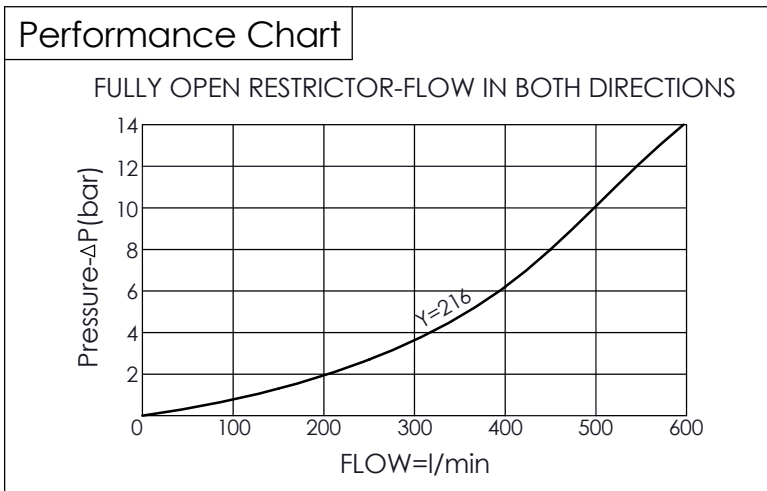


## FLOW CONTROL VALVE (Fully Adjustable Needle Valve, High Capacity)



TECHNICAL DATA	
Max. operating pressure:	350 bar (Refer To Performance Chart)
Rated flow:	520 l/min (Refer To Performance Chart)
Cavity-Tooling:	18A-2 (18AB-2)
Installation torque:	465-500 Nm
Weight:	1.24 (Z=L) kg



X	OPERATION	
28	Fully Adjustable Needle Valve	

Y	MAXIMUM NOMINAL ORIFICE DIAMETER	
216	Ø 21.6 mm	

Z	OPTIONS	
L	Leakproof hex. socket screw.	
K	Handknob with Lock Knob. (Order Code: 6ZAK001)	
T	Three-winged Handknob Kit.	