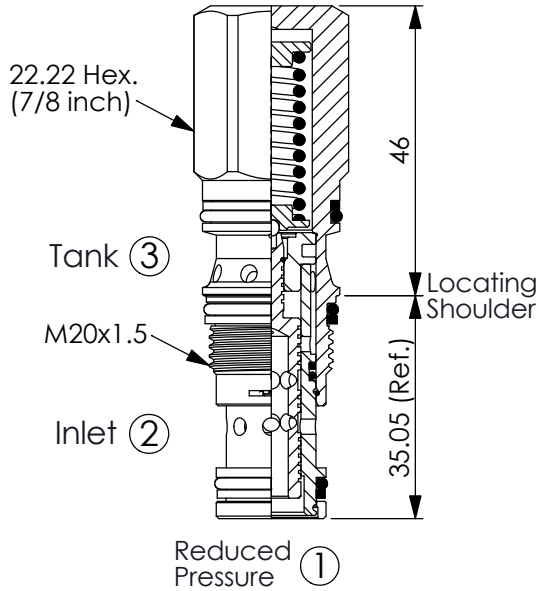
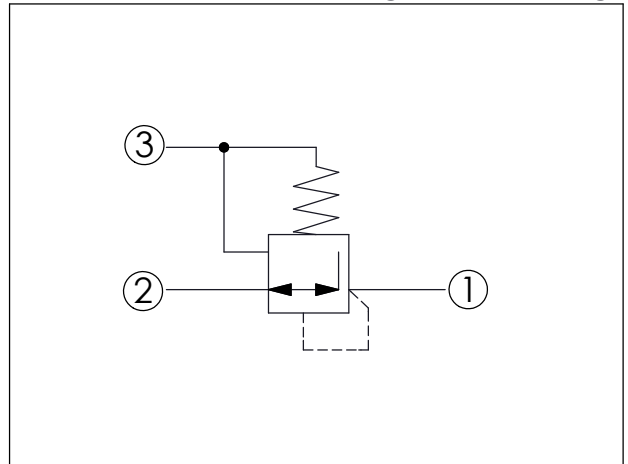


Ordering Code: **PD-11A-X-Y-Z**



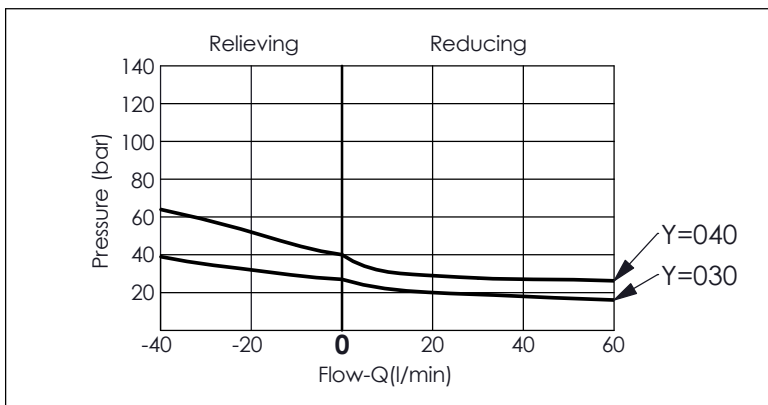
UNIT:mm

Illustrations / detail are for reference only. Data subject to change.



TECHNICAL DATA

Max. Operating pressure:	350	bar
Rated flow:	40	l/min
Cavity-Tooling:	11A-3	
Installation torque:	40 - 50	Nm
Weight:	0.15	kg



X	OPERATION	
30	Standard Type	

Y	SPRINGS	
	Pressure Setting	
030	25 - 30 bar	
040	35 - 40 bar	

Z	OPTIONS	
N	Non-adjustable	

· This valve is customized.
Please advise the pressure range when ordering.