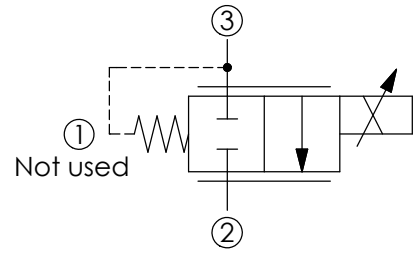
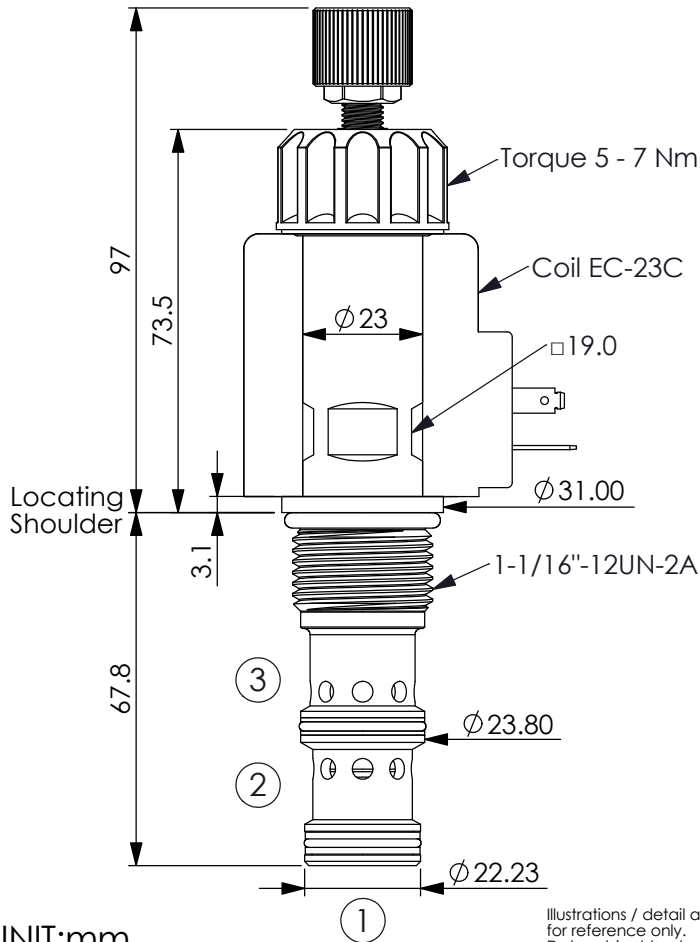
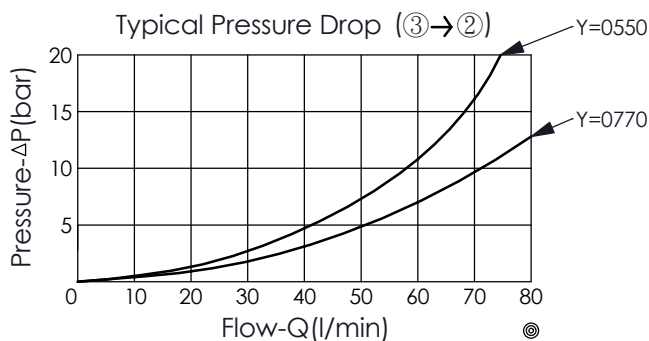
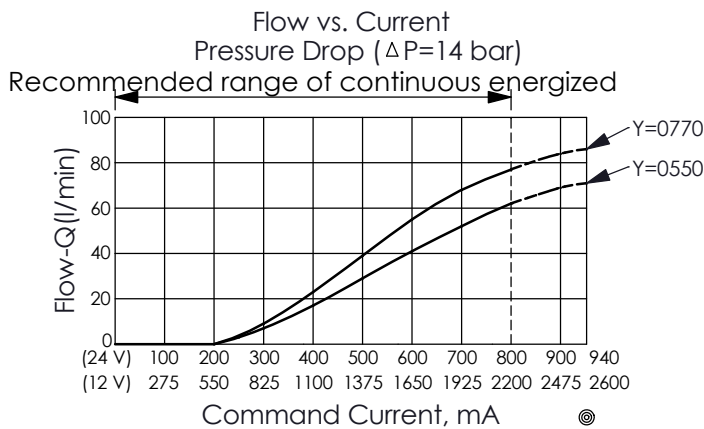


Ordering Code: **PEA-12W-X-Y-Z**



### TECHNICAL DATA

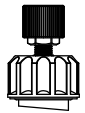
Max. Operating pressure:	240	bar
Rated flow:	80	l/min (Refer To Performance Chart)
Cavity-Tooling:	12W-3	
Installation torque:	54 - 66	Nm
Weight:(with Coil)	0.749	kg
(without Coil)	0.399	kg
· Maximum Leakage Approximately ( 420 cc/min./210 bar )		



X	OPERATION
3G	3 Ports · 17 Watt. Coil $\phi 23$ mm tube
<b>NOTE:</b> Coil must be ordered separately. Use 12V DC or 24V DC (Series EC-23C) coils only.	

Y	FLOW
NOMINAL CAPACITY	
0550	0 - 55 LPM
0770	0 - 77 LPM

\* If there is a requirement for factory minimum flow setting (port  $\textcircled{3}$ ), please contact Winner sales department.

Z	OPTIONS
M	Manual Override (Standard) 
N	Non-adjustable 