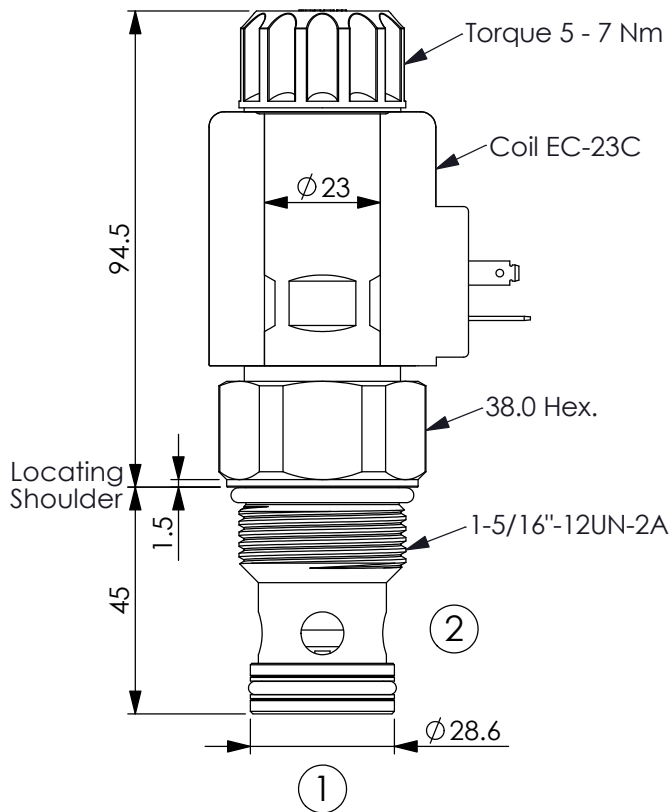


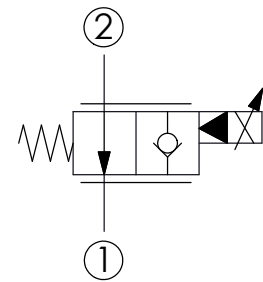
FLOW CONTROL VALVE (Electro-Proportional, Normally Open)

Ordering Code: **PEP-16W-2G-X-Y-Z**



UNIT:mm

Illustrations / detail are for reference only. Data subject to change.



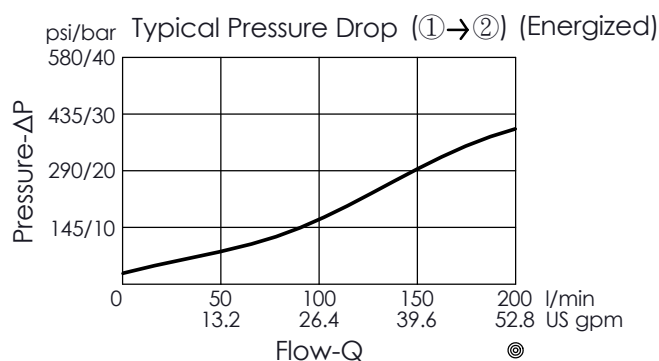
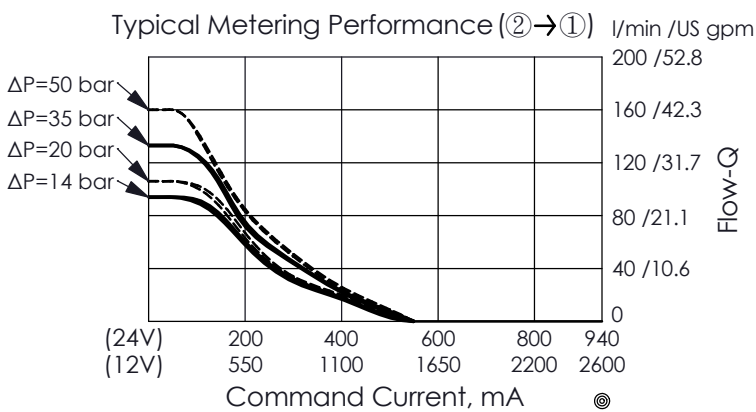
TECHNICAL DATA

Max.Operating pressure:	260	bar
Rated flow:	90	l/min (Refer To Performance Chart)
Cavity-Tooling:	16W-2	
Installation torque:	60 - 70	Nm
Weight:(with Coil)	0.922	kg
(without Coil)	0.572	kg

Coils must be ordered separately

(5 drops/minute) max.at 260 bar

2 Ports · 17 Watt. Coil ϕ 23 mm tube



X	OPERATION	
02	Normally-Open, Port ② to Port ①. When Energized, Port ① to Port ②, No Reverse Flow	

Y	OPTIONS	
N	Non-adjustable	

Z	FLOW	
	NOMINAL CAPACITY	
0800	0 - 80 LPM	