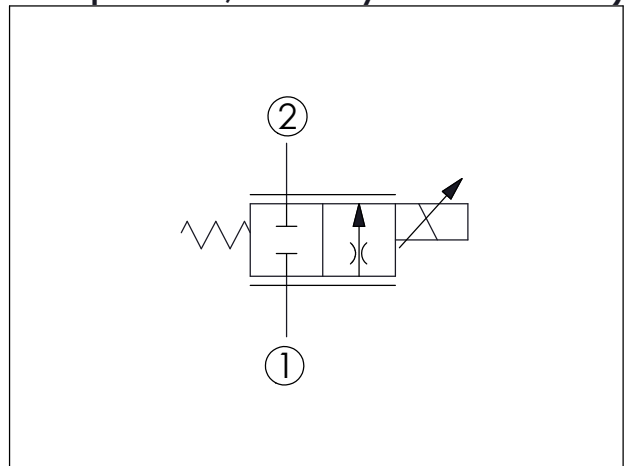
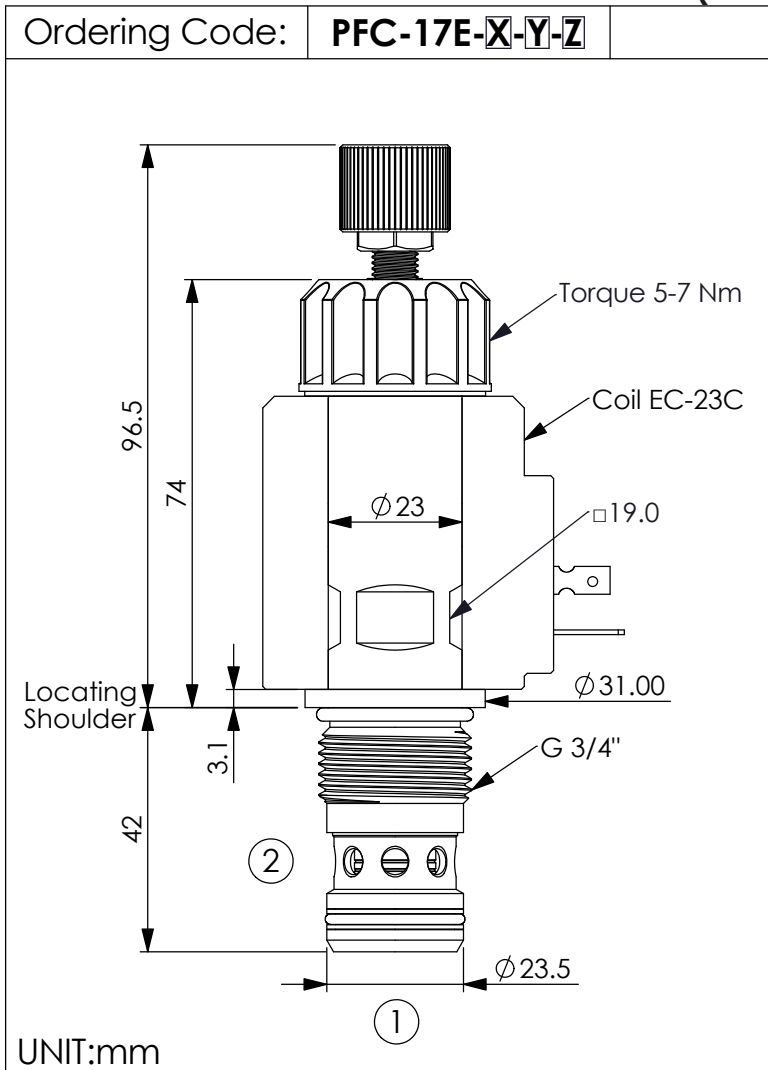
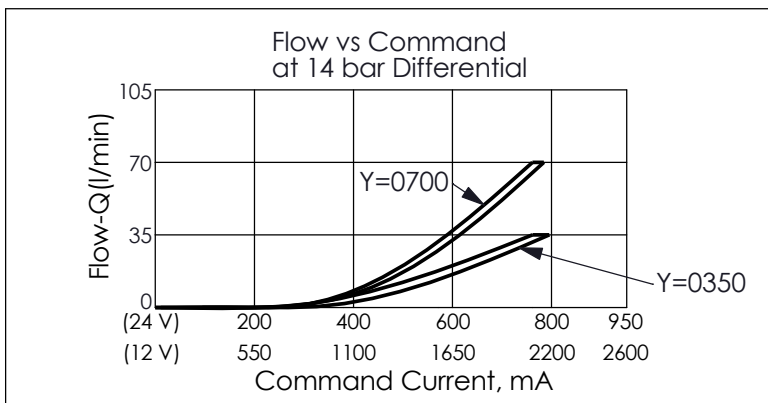


FLOW CONTROL VALVE (Electro-Proportional, Normally Closed Throttle)



TECHNICAL DATA		
Max.Operating pressure:	350	bar
Rated flow:	70	l/min
Cavity-Tooling:	17E-2	
Installation torque:	45 - 55	Nm
Weight:(with Coil)	0.70	kg
(without Coil)	0.35	kg



X	OPERATION	
2G	2 Ports · 17 Watt. Coil	
	∅ 23 mm tube	
NOTE:Coil must be ordered separately. Use 12V DC or 24V DC (Series EC-23C) coils only.		

Y	FLOW	
	Max. Flow (Port ① to Port ②)	
0120	12 LPM	
0350	35 LPM	
0700	70 LPM	

Z	OPTIONS	
N	Non-adjustable	
M	Manual Override (Standard)	
P	Push Style Manual Override	

· If port ① has sudden high flow, for example: When parallel using many valves and high flow of pump, please select PFC17E2G0680-[Z]-9. Please feel free to contact Winner's sales department.