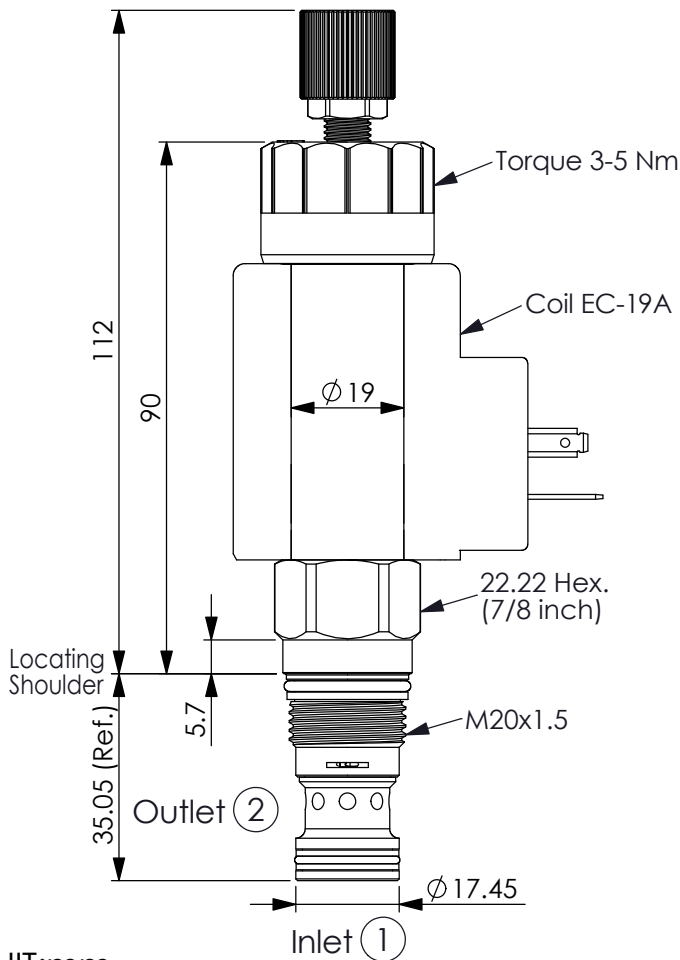
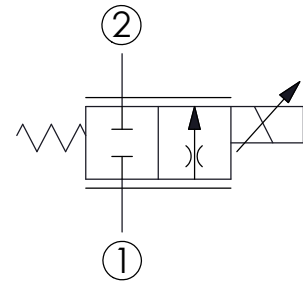


## FLOW CONTROL VALVE (Electro-Proportional Flow Control Valve, Normally Closed Throttle)

Ordering Code: **PFC-13A-X-Y-Z**



UNIT:mm



### TECHNICAL DATA

Max. Operating pressure:	350	bar
Rated flow:	40	l/min
Cavity-Tooling:	13A-2	
Installation torque:	40-50	Nm
Linearity (with dither)	<2%	
Repeatability (with dither)	<2%	
Hysteresis (with dither)	<4%	
Hysteresis with DC input	<8%	
Deadband, nominal (as a percentage of input)	25%	
Weight: (with Coil)	0.53	kg
(without Coil)	0.28	kg

### X OPERATION

**2D** 2 Ports · 22 Watt. Coil  
 $\phi 19$  mm tube

### Y FLOW

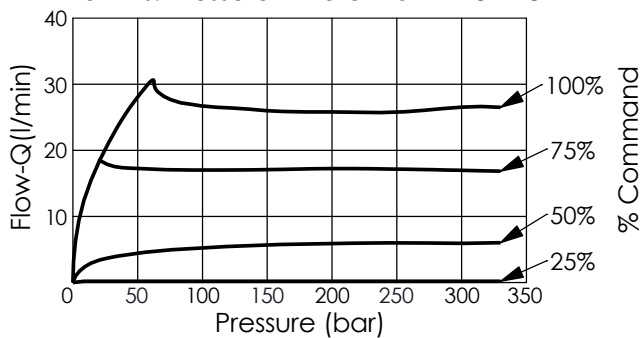
NOMINAL CAPACITY

<b>0030</b>	0.4-3 LPM
<b>0060</b>	0.4-6 LPM
<b>0140</b>	0.6-14 LPM
<b>0280</b>	0.8-28 LPM (Standard)
<b>0400</b>	1-40 LPM

### Z OPTIONS

<b>N</b>	Non-adjustable	
<b>M</b>	Manual Override	
<b>P</b>	Push Style Manual Override	

Flow vs. Pressure Differential **Y=0140**



Typical Metering Performance (①→②)  
 $\Delta P=14$  bar

