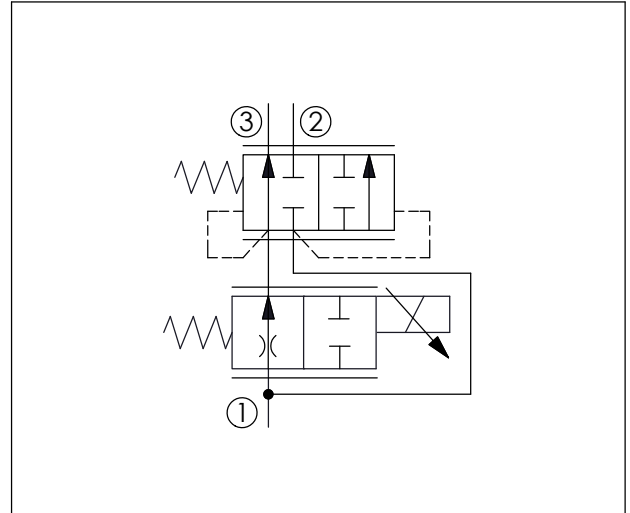
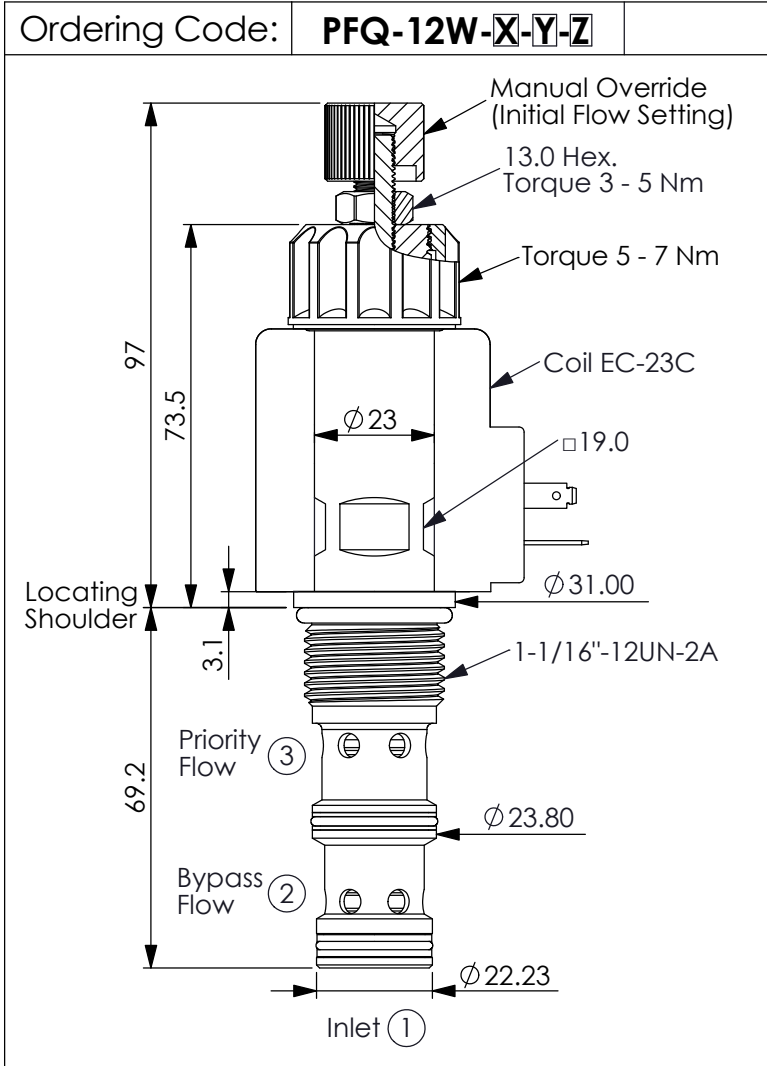


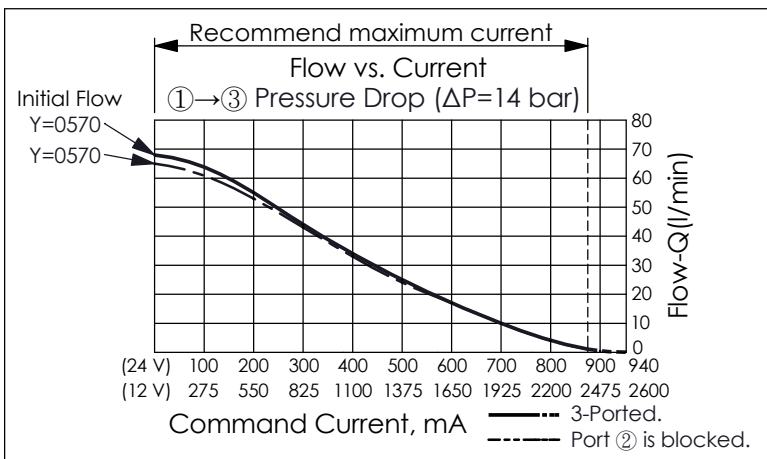
FLOW CONTROL VALVE (Normally Open, Electro-Proportional, Pressure Compensated)



TECHNICAL DATA

Max. Operating pressure:	240	bar
Rated inlet flow:	114	l/min
Priority flow:	57	l/min
Cavity-Tooling:	12W-3	
Installation torque:	54 - 66	Nm
Linearity (with dither)	<2%	
Repeatability (with dither)	<2%	
Hysteresis (with dither)	<4%	
Hysteresis with DC input	<8%	
Weight:(with Coil)	0.74	kg
(without Coil)	0.39	kg

· If you need higher max. operating pressure, please contact WINNER's sales department.

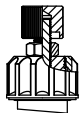


Y	PRIORITY FLOW (PORT ③)
0570	57 - 0 LPM

· If you need other flow options, please contact WINNER's sales department.

X	OPERATION
3G	3 Ports · 17 Watt. Coil ϕ 23 mm tube

NOTE: Coil must be ordered separately. Use 12V DC or 24V DC (Series EC-23C) coils only.

Z	OPTIONS
M	Manual Override (Standard) 
N	Non-adjustable (Special Requirement) 