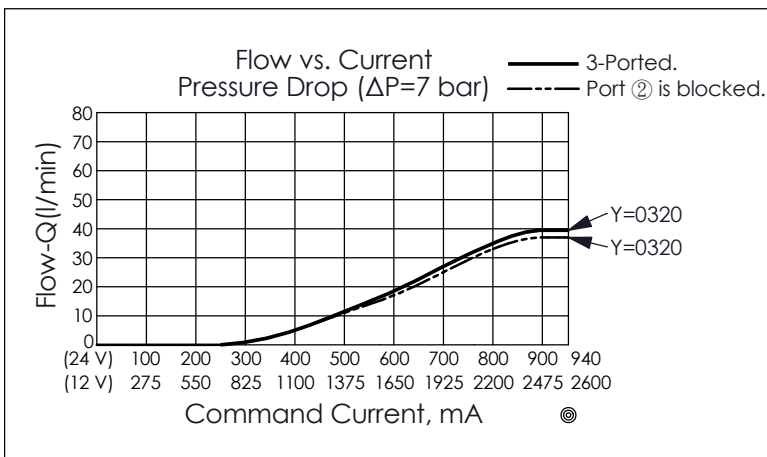
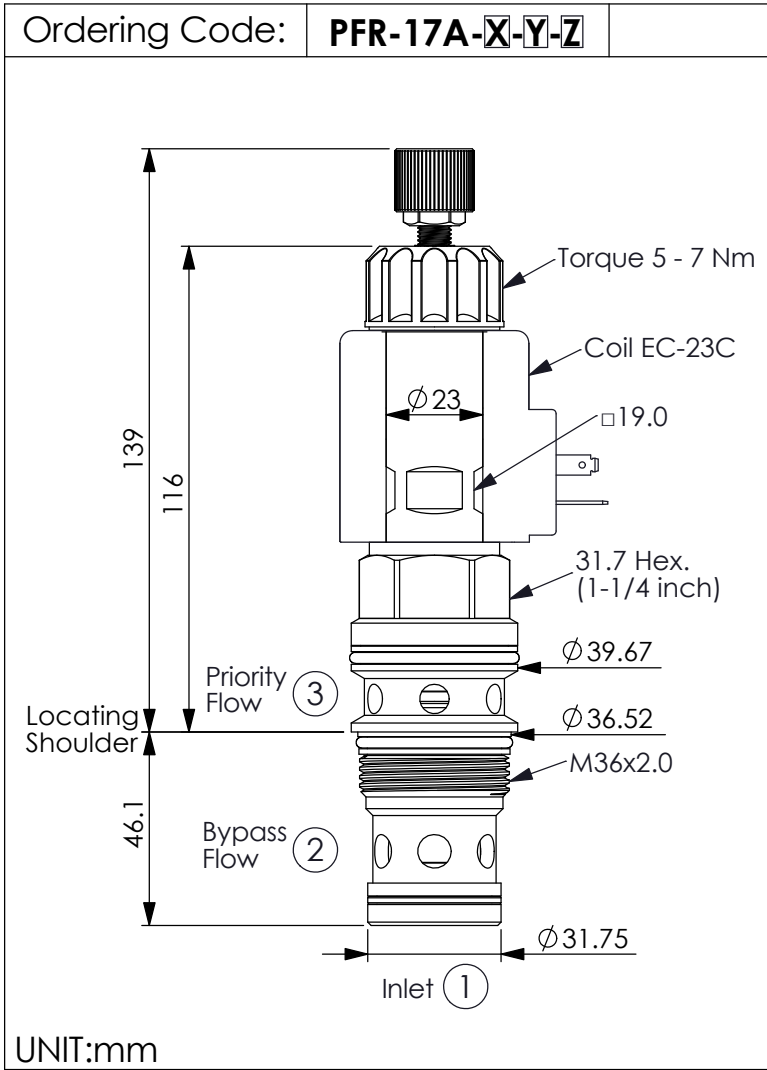
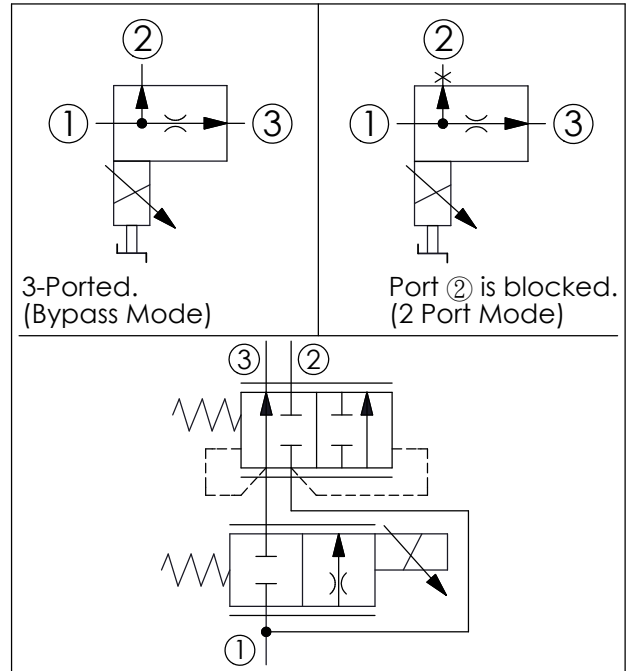


## FLOW CONTROL VALVE (Normally Closed, Electro-Proportional, Pressure compensated)



Y	PRIORITY FLOW (PORT ③)
<b>0120</b>	0 - 12 LPM
<b>0250</b>	0 - 25 LPM
<b>0320</b>	0 - 32 LPM
<b>0500</b>	0 - 50 LPM

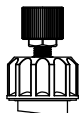
\* If there is a requirement for factory minimum flow setting (port ③), please contact Winner sales department.



TECHNICAL DATA	
Max. Operating pressure:	350 bar
Rated inlet flow:	120 l/min
Cavity-Tooling:	17A-3
Installation torque:	200 - 215 Nm
Linearity (with dither)	<2%
Repeatability (with dither)	<2%
Hysteresis (with dither)	<4%
Hysteresis with DC input	<8%
Weight:(with Coil)	1.057 (Z=M) kg
(without Coil)	0.707 (Z=M) kg

X	OPERATION
<b>3G</b>	3 Ports · 17 Watt. Coil φ 23 mm tube

NOTE:Coil must be ordered separately.  
Use 12V DC or 24V DC (Series EC-23C) coils only.

Z	OPTIONS
<b>M</b>	Manual Override (Standard) 
<b>N</b>	Non-adjustable 