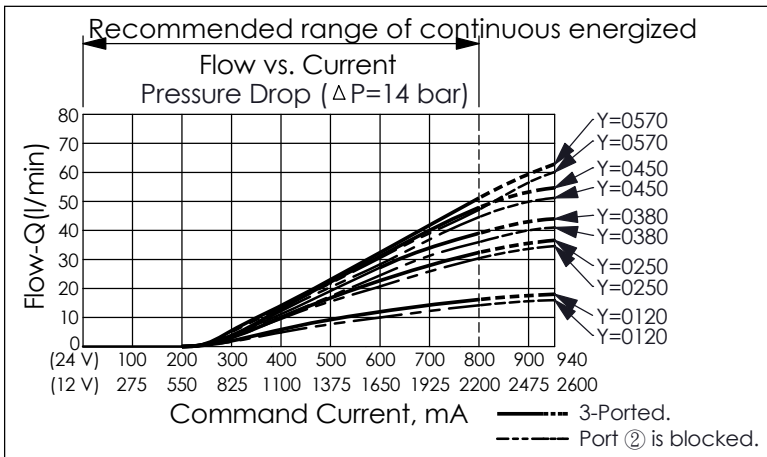
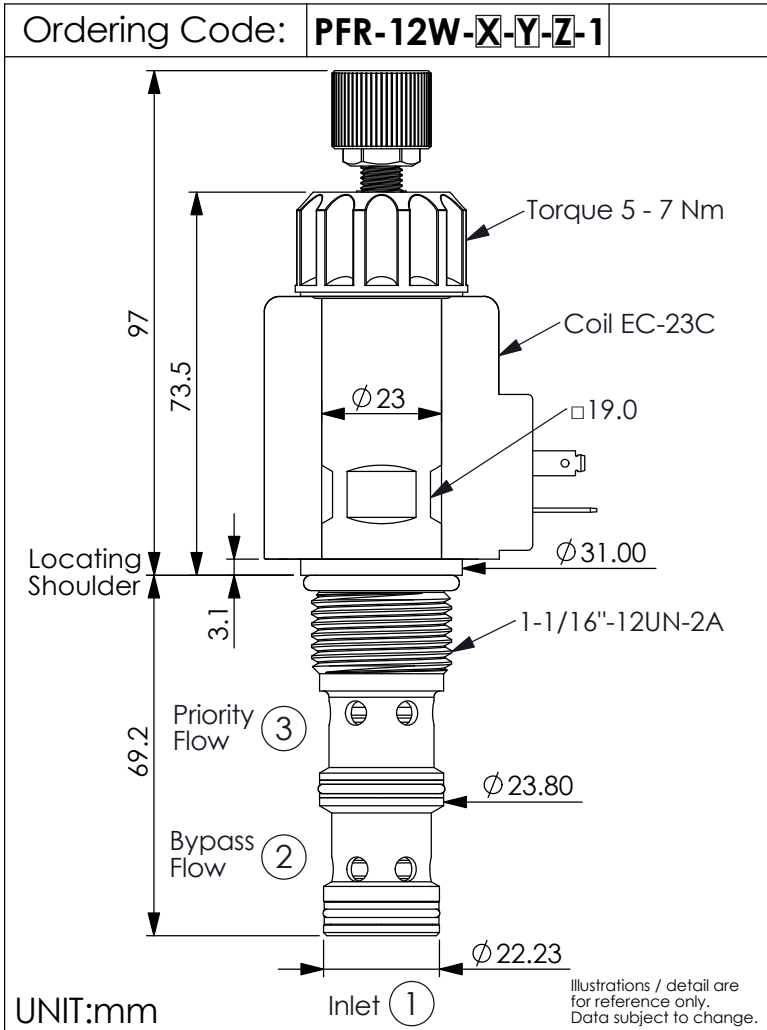
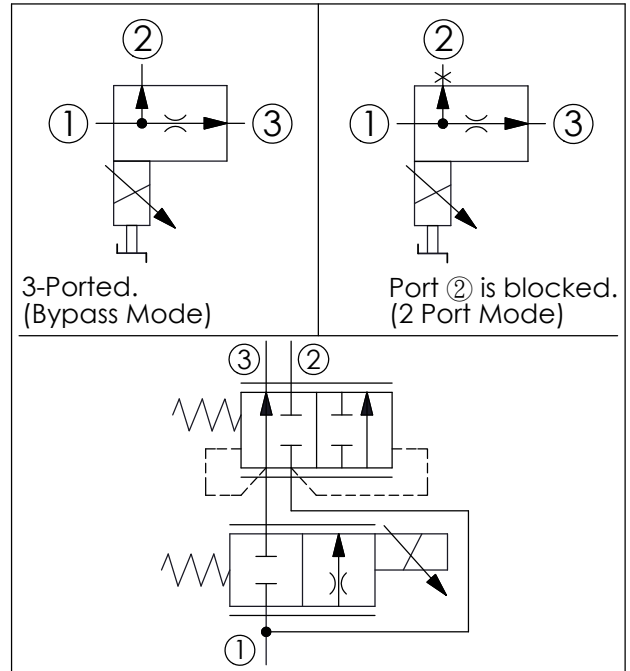


FLOW CONTROL VALVE (Normally Closed, Electro-Proportional, Pressure compensated)



Y	PRIORITY FLOW (PORT ③)
0120	0 - 12 LPM
0250	0 - 25 LPM
0380	0 - 38 LPM
0450	0 - 45 LPM
0570	0 - 57 LPM

· If you need other flow options, please contact WINNER's sales department.
* If there is a requirement for factory minimum flow setting (port ③), please contact Winner sales department.



TECHNICAL DATA	
Max. Operating pressure:	240 bar
Rated inlet flow:	114 l/min
Priority flow:	57 l/min
Cavity-Tooling:	12W-3
Installation torque:	54 - 66 Nm
Linearity (with dither)	<2%
Repeatability (with dither)	<2%
Hysteresis (with dither)	<4%
Hysteresis with DC input	<8%
Weight:(with Coil)	0.74 kg
(without Coil)	0.39 kg
· If you need higher max. operating pressure, please contact WINNER's sales department.	

X	OPERATION
3G	3 Ports · 17 Watt. Coil Ø 23 mm tube
NOTE:Coil must be ordered separately. Use 12V DC or 24V DC (Series EC-23C) coils only.	

Z	OPTIONS
M	Manual Override (Standard)
N	Non-adjustable